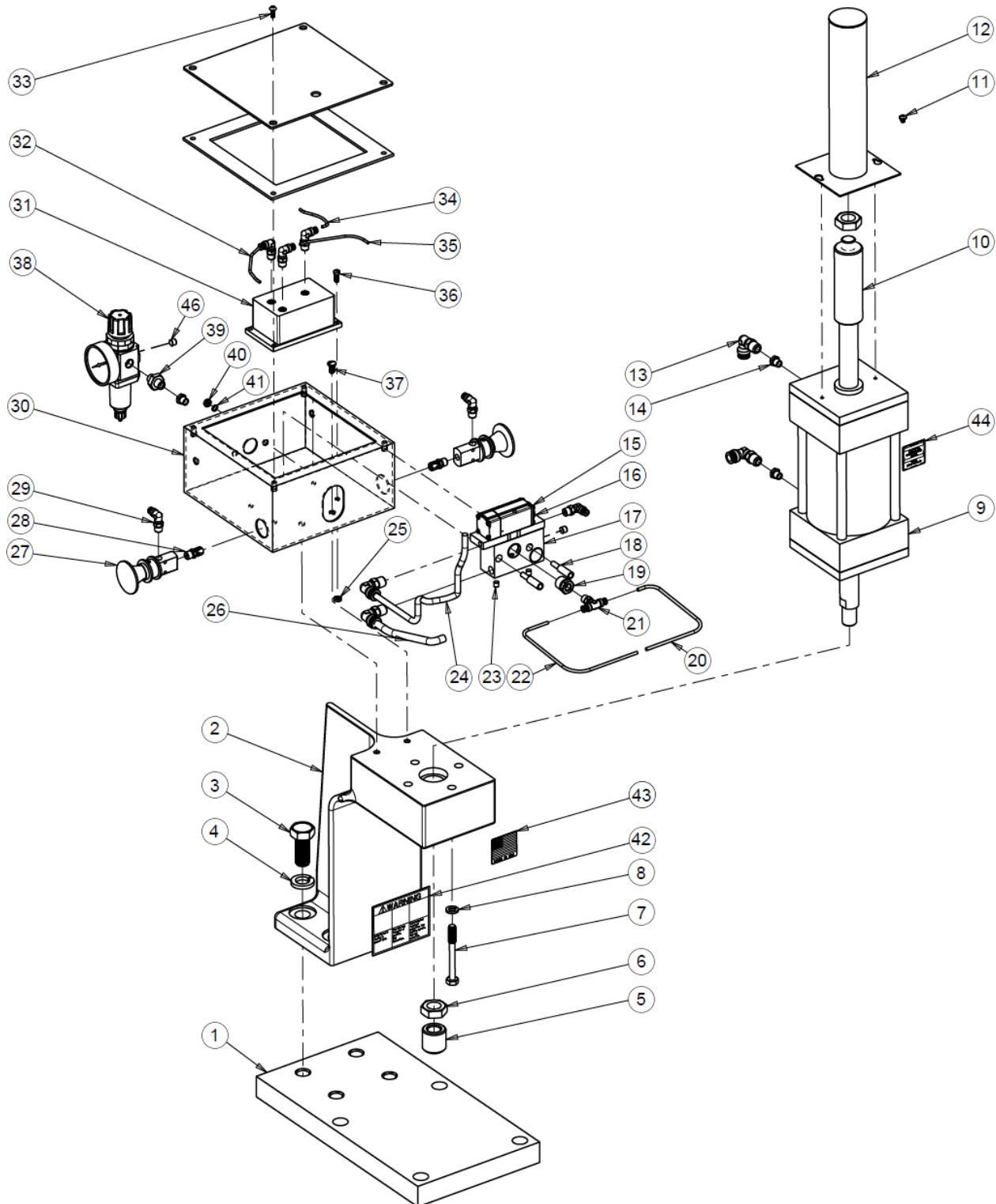


# EXPLODED VIEW & PARTS LIST

## EXPLODED PARTS VIEW



## PARTS LIST

Item	Parts Name	Part Number			Qty
		Model 1-204	Model 1-210	Model 1-220	
1	Mounting Plate	67474	67731	67734	1
2	Main Frame	67472	67728	67733	1
3	Hex Cap Screw	43349 (1/2"-13 x 1-1/2")	43372 (3/4"-10 x 1-3/4")	43383 (1"-8 x 1-1/2")	4
4	Lock Washer	43647 (1/2")	43649 (3/4")	43650 (1")	4
5	Nose Piece	68391	68392	68392	1
6	Hex Jam Nut	43941 (1/2"-20)	43946 (3/4"-16)	43946 (3/4"-16)	2
7	Hex Cap Screw	43336 (3/8"-16 x 2-3/4")	43339 (3/8"-16 x 3-1/2")	43359 (1/2"-13 x 4-1/2")	4
8	Lock Washer	43645 (3/8")	43645 (3/8")	43647 (1/2")	4
9	Air Cylinder	67473	67730	67735	1
10	Stroke Control	67464	67732	67732	1
11	#10-24 x 5/16" Phillips Hd. Machine Screw	60477	60477	60477	2
12	Stroke Control Guard	67462	67729M	67729M	1
13	Male Elbow Conn. – Brass	60467 (1/4")	60470 (3/8")	60470 (3/8")	4
14	1/4" Male Tube Conn. – Brass	50790	50790	50790	3
15	4 Way Air Valve Assembly	67468	67468	67468	1
16	Stack Speed Control	62031	62031	62031	1
17	Manifold Sub-plate	67470	67470	67470	1
18	Hex Screw 1/4" - 20 x 3/8"	67470 A	67470 A	67470 A	2
19	3/8" x 1/8" Hex Bushing – Brass	60478	60478	60478	1
20	1/8" Tube Line (R.H. air valve to tee)	68489	68489	68489	1
21	1/8" Male Branch Tee – Brass	60468	60468	60468	1
22	1/8" Tube Line (L.H. air valve to tee)	68490	68490	68490	1
23	1/4" Pipe Plug – Brass	33771	33771	33771	2
24	Tube Line (Top of air cylinder to sub-plate)	67764 (1/4")	67762 (3/8")	67762 (3/8")	1
25	#10-32 Hex Nut	43907	43907	43907	4
26	Tube Line (Bottom of air cylinder to sub-plate)	67765 (1/4")	68486 (3/8")	68486 (3/8")	1
27	Control Button	67467	67467	67467	2
28	1/8" Male Tube Conn. – Brass	60464	60464	60464	2
29	1/8" Male Elbow Conn. – Brass	60463	60463	60463	6
30	Control Enclosure	68390M	68390M	68390M	1
31	Logic Element	67453	67453	67453	1

<u>Item</u>	<u>Parts Name</u>	<u>Part Number</u>			<u>Qty</u>
		<b>Model 1-204</b>	<b>Model 1-210</b>	<b>Model 1-220</b>	
32	1/8" Tube Line (L.H. air valve to element)	68488	68488	68488	1
33	#10-24 x 1/2" Screw	43847	43847	43847	4
34	1/8" Tube Line (Sub-plate to element)	68491	68491	68491	1
35	1/8" Tube Line (R.H. air valve to element)	68487	68487	68487	1
36	#10-32 x 1/2" Rd. Hd. Screw	43858	43858	43858	4
37	1/4"-20 x 3/8 Rd. Hd. Screw	43862	43862	43862	2
38	Filter Regulator	62552	62552	62552	1
39	1/4" Pipe Nipple – Brass	44511	44511	44511	1
39	1/4" Pipe Nipple – Brass	44511	44511	44511	1
40	1/4" Hex Nut	67470_C	67470_C	67470_C	2
41	1/4" Washer	67470_B	67470_B	67470_B	2
43	Label – Made in U.S.A.	76936	76936	76936	1
44	Label – Model Number	607	607	607	1
45	Warning Label – Ganged	300168	300168	300168	1
46	1/8" Pipe Plug – Brass	60469	60469	60469	2
Not shown	1/4" Lock Washer *Located on item 37	43643	-	-	2

***Please contact factory for current prices.***

## **ORDERING INFORMATION**

Parts are available for direct purchase from Dake or through a distributor. When placing a parts order, you will need to provide the part number, name of part, and model number. All parts shipped F.O.B. Factory in Grand Haven, MI.