

FOR WORKHEAD DETAIL
SEE FIGURE 2

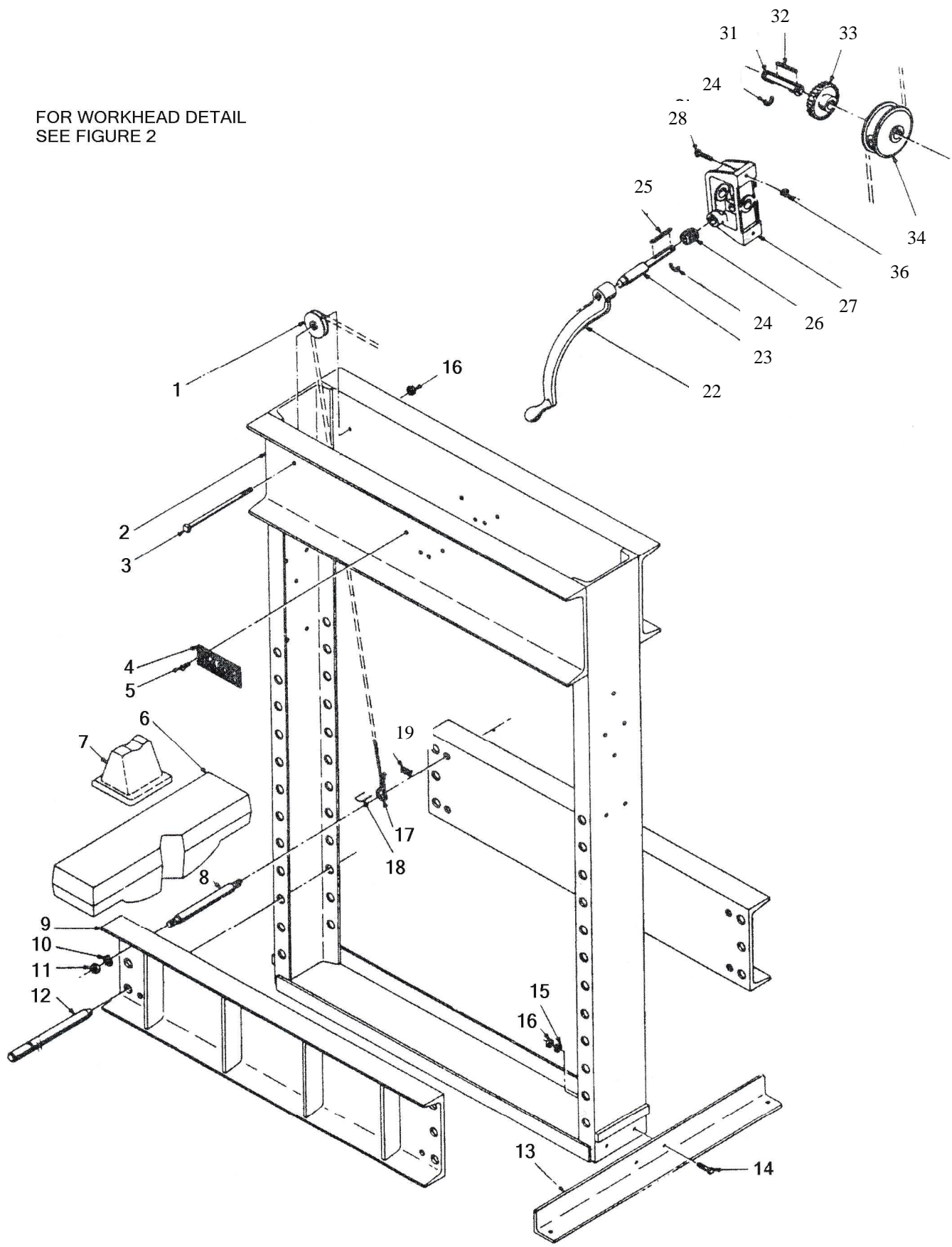


FIGURE 1

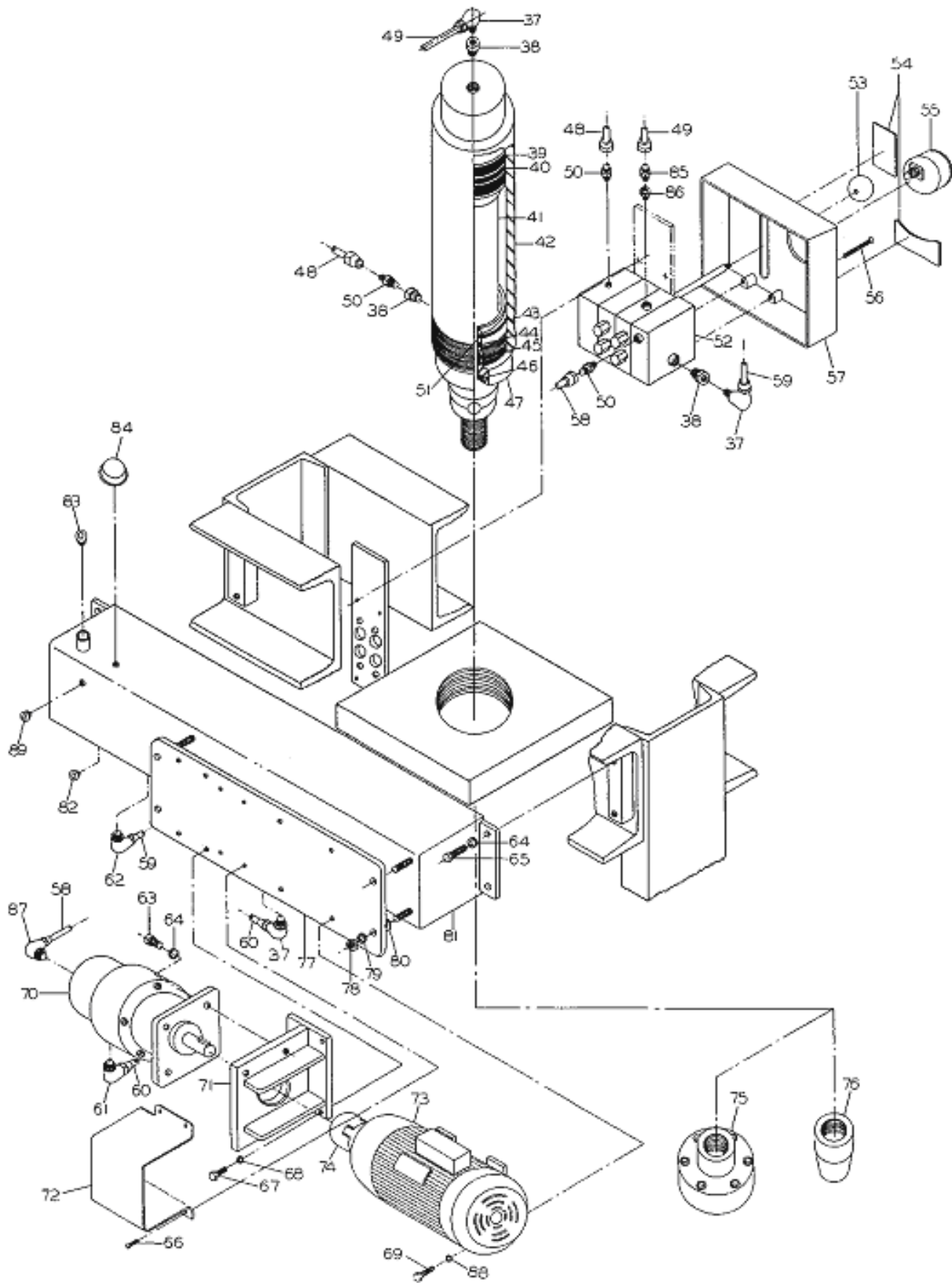


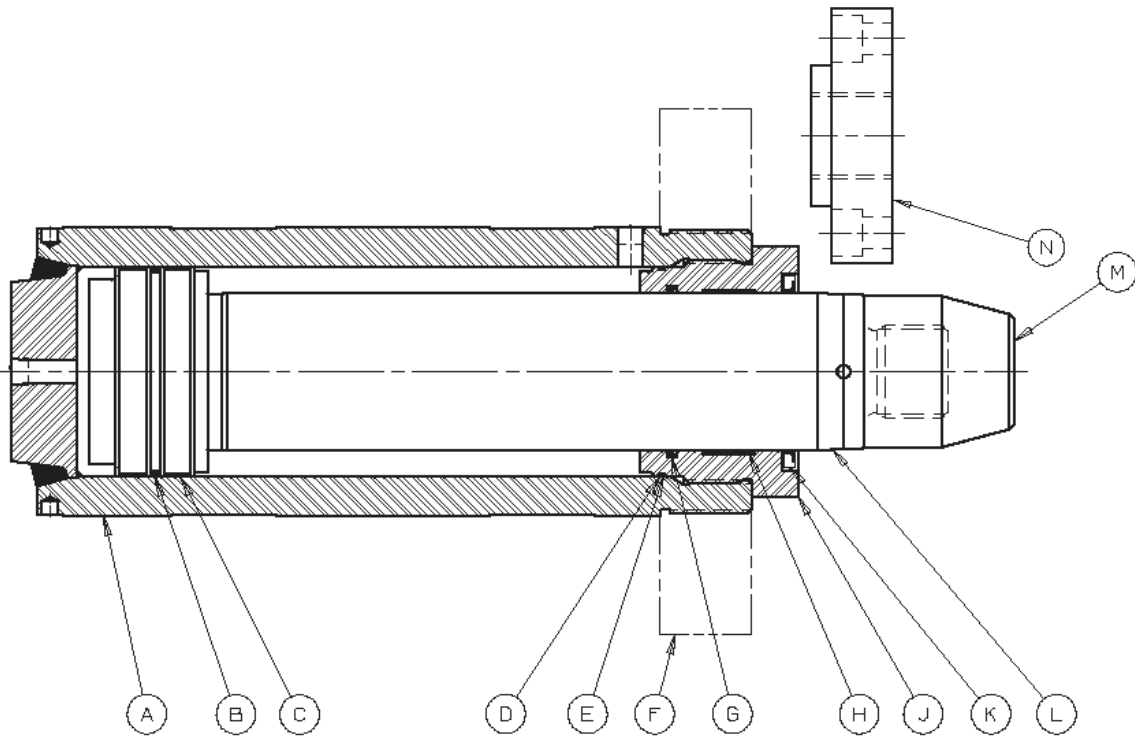
FIGURE 2

Figure 1

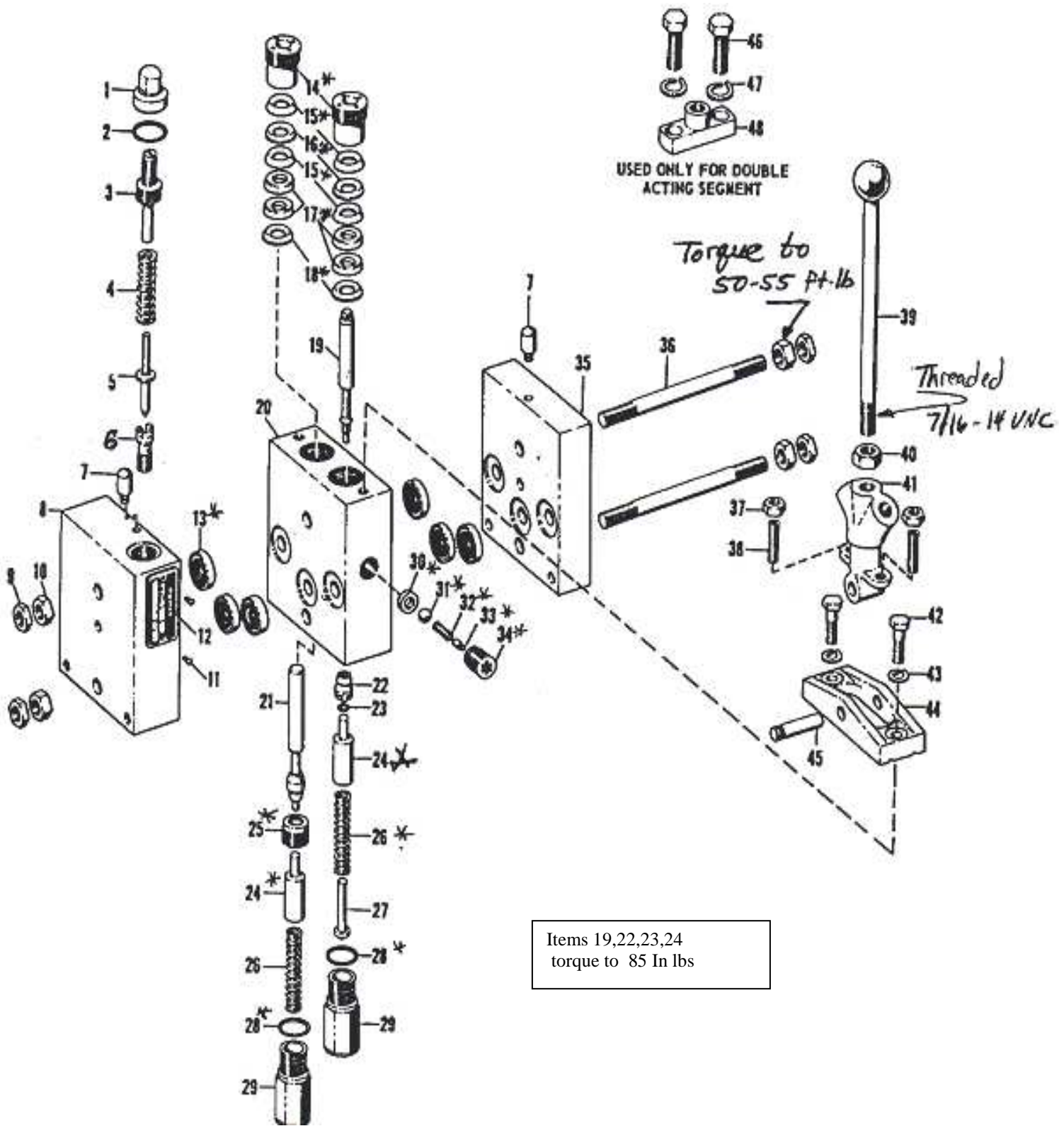
Item	Part Name	Model 8-025	Model 8-050	Model 8-075	Model 8-150	Qty
1	Pulley	602	602	727	1563	2
2	Frame	708303	708462	408452	408315	1
3	3/8-16x8 1/2 Hex Cap Screw	433420	43342	N/A	N/A	2
3	1/2-13X10" Hex Cap Screw	N/A	N/A	43361	N/A	4
3	3/4-10X14" Hex Cap Screw	N/A	N/A	N/A	43720	4
4	Name Plate	81002	81002	81002	2252	1
5	6-32x1/4" Self Tapping Screw	43876	43876	43876	43876	4
6	Table Plate	545	545	702	1534	2
7	V- Block	336	336	336	1576	2
8	Table Spacer	716692	568	716	1553	4
9	Table Channel	4100	4100	2243	4207	2
10	5/8" Lockwasher	43648	43648	43648	N/A	4
10	3/4" Lockwasher	N/A	N/A	N/A	43649	4
11	5/8-11 HEX Nut	43917	43917	43917	N/A	4
11	3/4-10 Hex Nut	N/A	N/A	N/A	43919	4
12	Table Pin	2256	2256	2256	N/A	4
12	Table Pin	N/A	N/A	N/A	1555	6
13	Base Angle	566	566	566	1551	2
14	1/2-13X1-1/4" Hex Cap Screw	43348	-	43349	1551	4
14	1/2-13X1-1/2" Hex Cap Screw		43349			
14	5/8-11X1 3/4 Hex Cap Screw	N/A	N/A	N/A	43365	4
15	1/2" Lockwasher	43647	43647	43647	N/A	4
15	5/8 Lockwasher	N/A	43648	N/A	43648	4
16	1/2-13 Hex Nut	43916	43916	43916	N/A	4
16	5/8-11 Hex Nut	N/A	43917	N/A	43917	4
17	Cable	580	580	580	1562	1
18	Cable Clamp	991	991	583	583	4
22	Hand Crank Assembly	701653	701653	701653	701653	1
23	Worm Shaft	384	7530	384	742	1
25	Worm Key	47364	47364	47364	746	1
26	Worm	385	385	385	744	1
27	Hoist Frame	725	725	725	739	1
28	3/8-16x2 1/2 Hex Cap Screw	43335	43335	43335	N/A	
28	3/8-16X2-3/4" Hex Cap Screw	43335	43335	43335	43353	2
30	3/8-16 Hex Nut	43912	43912	43912	N/A	2
30	1/2-13 Hex Nut	N/A	N/A	N/A	43916	
31	Drum Shaft	724	724	724	741	1
32	Drum Key	737	737	737	745	1
33	Worm Gear	736	736	736	743	1
34	Cable Drum	723	723	723	740	1
35	Retaining Ring	43983	43983	43983	-	
36	Retaining Ring	-	-	-	43982	
36	Grooved Pin	-	-	-	44062	
37	Tube Elbow	1252	1252	1252	1944	1
38	Bushing	1657	1657	1657	N/A	1
39	Wear Ring	37036	37041	37046	37051	2
40	T-Ring	17976	17878	17942	37052	1
41	Piston	35811	35563	35575	35585	1
42	Cylinder	34321	35561	35589	35584	1
43	O-Ring	29637	29638	37048	25823	1
44	T-Ring	37037	37044	36311	37054	1
45	Wear Ring	37038	37045	37050	37055	1or2
46	Oil Seal	944	1477	1357	1524	1
47	PistonGuide	34322	35562	35573	35592	1
48	Tube Valve to bot. cyl.	-	-	-	-	1
49	Tube valve to top cyl	-	-	-	-	1
50	Straight fitting	17920	17920	17920	17920	3

51	Back up washer	37040	37043	37049	37053	1
52	Manual 4 way valve	29662	29662	29662	29662	1
53	Tube Valve to gauge	-	-	-	-	1
54	Panel decal	36590	36590	36590	36590	1
55	Gauge	71270	71271	71272	71273	1
56	10-24x2-3/4" mach. Flat hd. Screw	300248	300248	43821	43821	4
57	Control Panel	81395	81395	81395	81395	1
58	Tube pump to valve	-	-	-	-	1
59	Tube valve to reservoir	-	-	-	-	1
60	Tube reservoir to pump	-	-	-	-	1
61	Tube elbow					
62	Tube elbow					
63	½-13x1 Socket Hd Cap screw	43469	43347	43469	-	4
63	½-13x1 ¼	43470	43470	43470	43470	4
64	½" Lockwasher	43647	43647	43647	-	4
65	½-13x3/4	43345	43345	43345	-	4
66	10-24x3/8 Pan hd. Screw	43881	43881	43881	-	4
67	5/16-18x1 Hex Cap Screw	43315	43315	43315	-	4
68	5/16" Lockwasher	43644	43644	43644	-	4
69	5/16-18x3/4 Hex Cap Screw	43314	43314	43314	-	4
69	3/8-16x1 Hex Cap Screw	-	-	-	43328	4
70	Pump	301756	301756	301756	29608	1
71	Pump Support	25916	25916	25916	36299	1
72	Coupling Guard	36761	36761	36761	-	1
73	Motor	-	29744	-	-	1
74	Coupling	28498	28498	28498	-	1
	Coupling Half	-	-	-	29556	1
	Coupling Half	-	-	-	29557	1
	Spider	-	-	-	29942	1
75	Adapter Flange	1067	1181	1400	2029	1
76	Nose Piece	942	1150	3276	1987	1
77	Pump & Motor Base	36509A	36509A	36509A	-	1
78	3/8-16 Nut hex	43912	43912	43912	-	4
79	3/8 Lockwashers	43645	43645	43645	-	4
80	Washers	2248	2248	2248	-	4
81	Reservoir	36510	36510	36510	36527	1
82	¼ Soc pipe plug	1567	1567	1567	1567	1
83	¾ Soc pipe plug	1745	1745	1745	1745	1
84	Breather Filter	29571	29571	29571	29571	1
85	Straight Fitting	17920	17920	17920	1943	1
86	3/4x1/2 Reducer	-	-	-	1153	2
87	Tube Elbow	1252	1252	1252	17974	1
88	5/16 Lockwashers	43644	43644	43644	-	4
88	3/8 Lockwashers	-	-	-	43645	4
89	1/8 Soc pipe plug	589	589	589	589	1
90	Repair Kit items 39, 40, 43, 44, 45, 46, 51	711016	711017	711018	711019	
N/A	Table Hoist Assembly items 22,23,24,25,26,27,31,32,33,34	700112-S	700112-S			1

Work head exploded view



Item	Part Name	Model 25 ton	Model 50 ton	Model 75 ton	Model 150 ton	Qty
N	Adaptor Flange	1067	1181	1400	2029	1
M	Nose Piece	942	1150	3276	1987	1
L	Piston	35811	35563	35575	35585	1
K	Oil Seal	944	1477	1357	1524	1
J	Piston Guide	34322	35562	35573	35592	1
H	Teflon wear ring	37038	37045	37050	37055	2
G	Palmetto ring	37037	37044	36311	37054	1
F	Cylinder flange	86610	35565	35593	83880	1
E	Back-up washer	37040	37043	37049	37053	1
D	O-ring	29637		37048	25823	1
C	Teflon wear ring	37036	37041	37046	37051	2
B	Palmetto Ring	17976	17878	17942	37052	1
A	Cylinder	34321	35561	35589	35584	1
N/A	Complete assembly	707725	708077	708055	708078	1
	Repair Kit items C, B, D, G, H, K, E	711016	711017	711018	711019	



Item	Part Name	Part number	Qty
2-6	Pressure head repair kit one each of 2-6	54165	1
13	Grommet	47298	1
39	Handle	301328	1
41	Saddle	301329	1
48	Dual valve operating lever	301330	1
* Kit	Valve segment unit repair kit, includes one each of items 25 and 30 thru 34, two each of items 14, 16, 18, 24, 26 and 28, four each of 15 thru 17, 6 each of 13	67741	1 or 2
**Kit	Segment replacement, includes one each of 19 thru 23, 25, 27, 30 thru 34, 41, 44 and 45, two each of 14, 16, 18, 24, 26, 28, 29, 37, 38, 42 and 43.	301735	

*Note: 1 pc. For a 3 way valve (new 3way valve part number is 29661) **These Dynex valves have all ½” NPT port sizes**
2 pc. For 4 way valve (new 4 way valve part number is 29662)

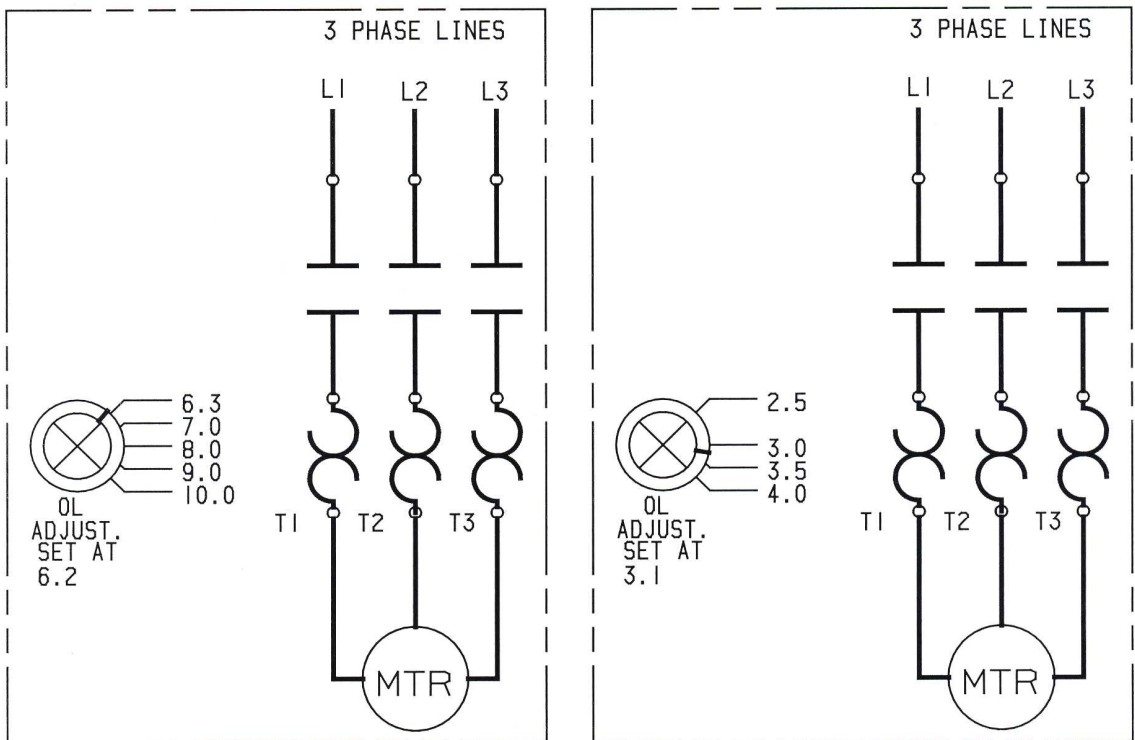
** Note: This kit is completely assembled and pre tested and ready for service.

29662 Dynex valve replaces the Dake valve 26-300 and 26-302. Repair kit for the 26-300 is part number 710146. No repair kit available for the 26-302.

29661 Dynex valve replaces the Dake valve 26-301. Repair kit for the 26-301 is part number 710146.

Note: If replacing a Dake valve with a Dynex valve, the port location may be different than the Dake valve.

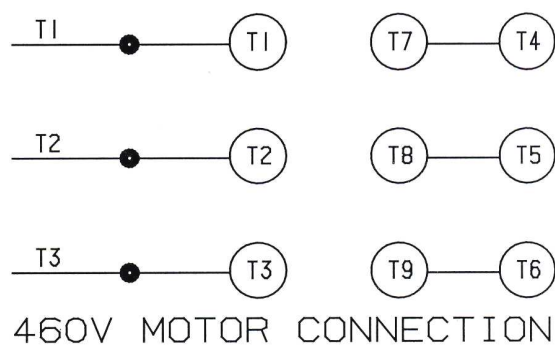
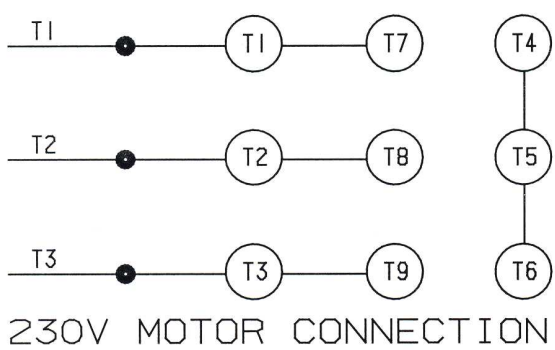
THIS DIAGRAM IS FOR THE 25, 50 AND 75 TON MODELS ONLY



230 VOLTS
 FOR 2 HP MOTOR DPN IS 75675
 FOR 3 HP MOTOR DPN IS 75675

460 VOLTS
 FOR 2 HP MOTOR DPN IS 75674
 FOR 3 HP MOTOR DPN IS 76846

SET STARTER OVERLOAD SETTING TO MATCH THE MOTOR NAMEPLATE VALUE FOR THE MOTOR THAT IS BEING USED. DRAWING SHOWS VALUES FOR 2 HP MOTOR.



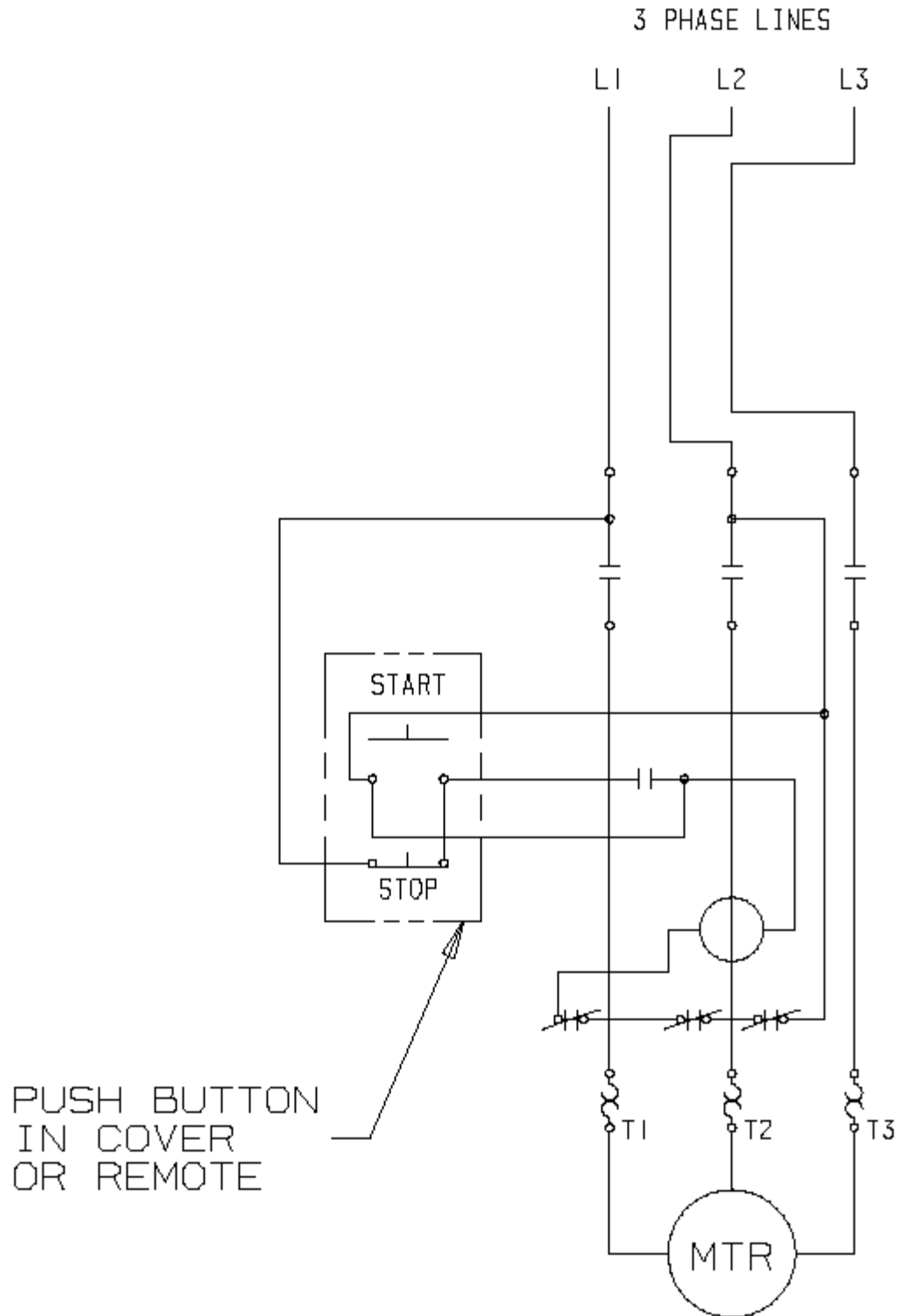
D# 33720

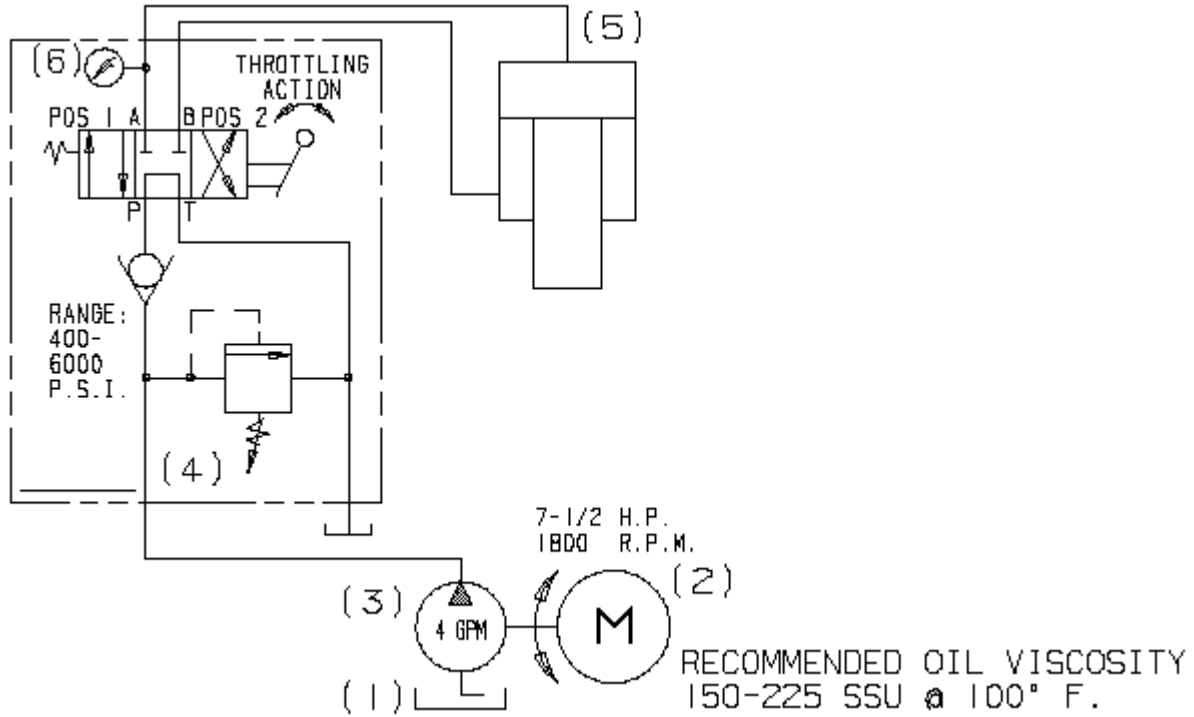
Electrical parts list

Part #	Part description	Qty
302062	Starter enclosure	1
29796	Switch manual	1
302187	Motor starter 220 volt	1
	Motor starter 440 volt	1

66244	Heater overload (150 ton only)	3
-------	--------------------------------	---

150 ton model only





D# 81020

	Part Name	25 ton	50 ton	75 ton	150 ton	Qty
1	Reservoir	36510	36510	36510	36527	1
1	Reservoir filter breather	29571	29571	29571	29571	
2	Motor – electric	301382	301382	301382	70901	1
3	Pump	301756	301756	301756	29608	1
4	4 way valve w/relief valve	29662	29662	29662	29662	1
5	Work Head	707725	713717	708055	708078	1
6	Gauge	71270	71271	71272	71273	1
N/A	Cylinder bore	3 5/8"	5"	6"	8"	N/A
N/A	Rod diameter	2 3/4"	4"	4 3/4"	6"	N/A
N/A	Stroke	10"	10"	10"	16"	N/A
N/A	PSI	4845	5100	5305	5970	N/A
N/A	Piston Thread diameter ACME	1 1/2 - 6	2 - 6	2 1/2 - 4	3 1/2 - 4	N/A



a JSJ business

724 Robbins Road
 Grand Haven, MI 49417
 Phone: 616-842-7110 800-937-3253
 Fax: 616-842-0859 800-846-3253
 Web: www.dakecorp.com
 E-mail: customerservice@dakecorp.com
technicalservice@dakecorp.com