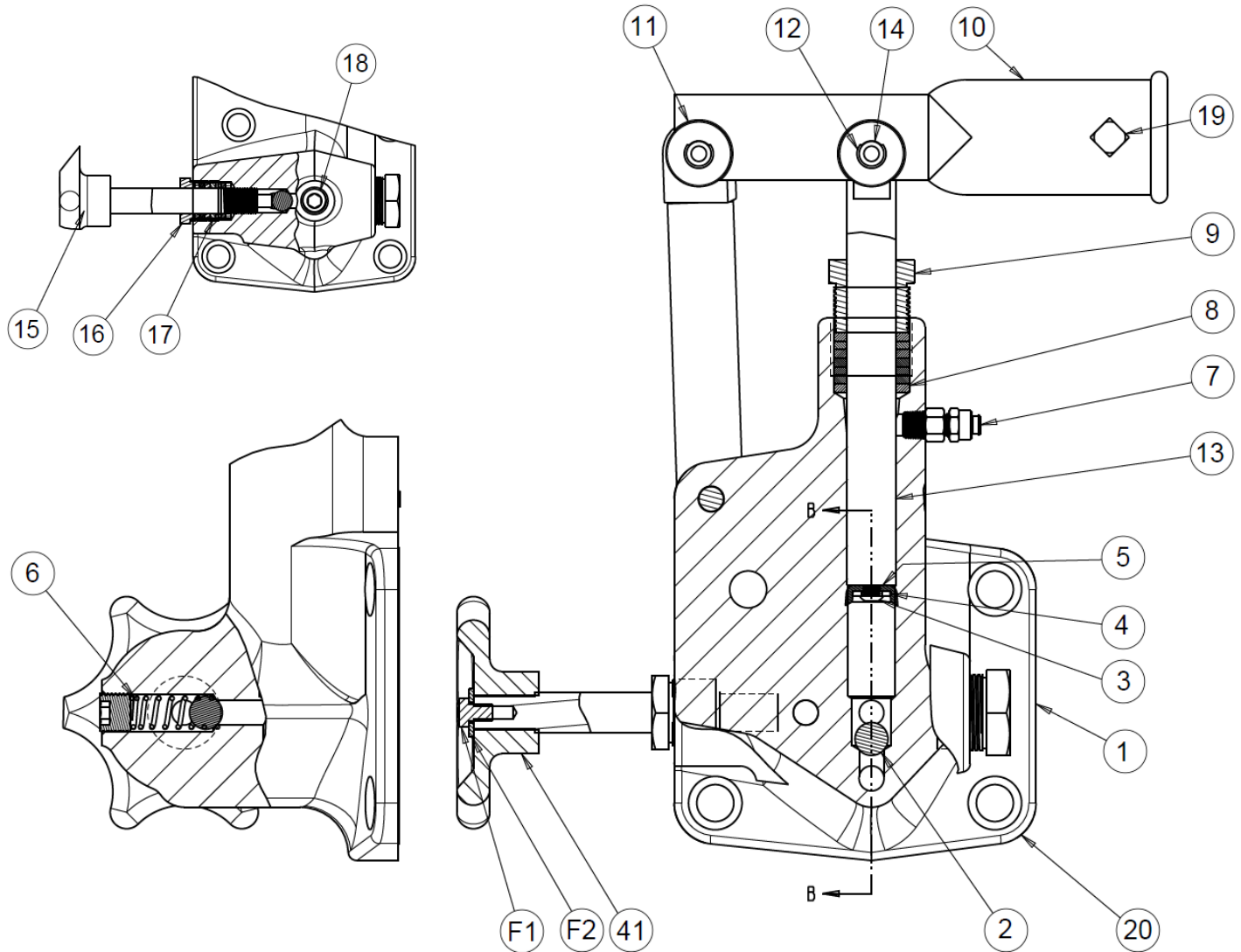


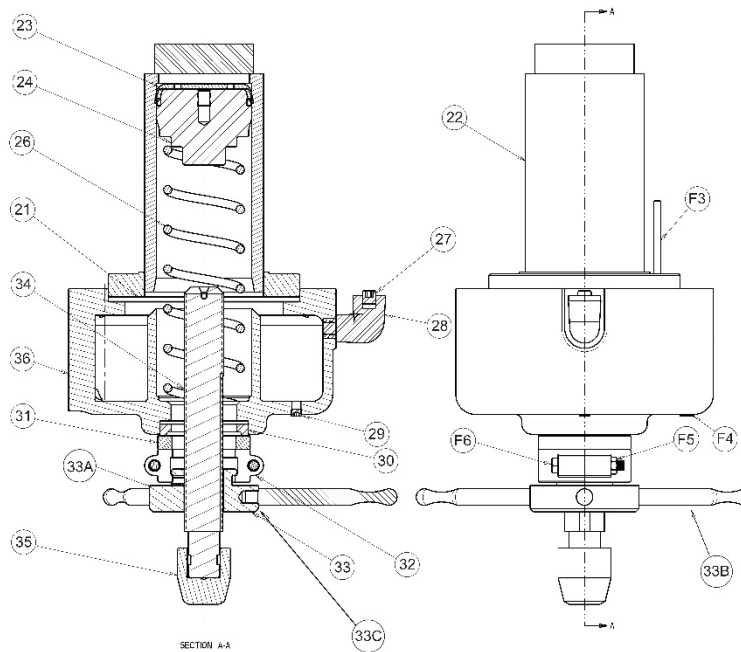
HAND PUMP ASSEMBLY



Item No.	Part Name	Part No.	Qty
1	Pump Body	546	1
2	Ball Valve	586	3
3	Hex Cap Screw (Nylock 1/4"-20 x 1/2")	28297	1
4	Washer # 12 Flat	43629	1
5	Pump Plunger Leather	599	1
6	Check Valve Spring	579	1
7	Tube Fitting, Poly-Tite	71413	1
8	Pump Packing	573	7
9	Pump Packing Nut	551A	2
10	Handle Socket	550	1
11	Handle Socket Link	555	1
12	3/8" Retaining Ring	43972	6

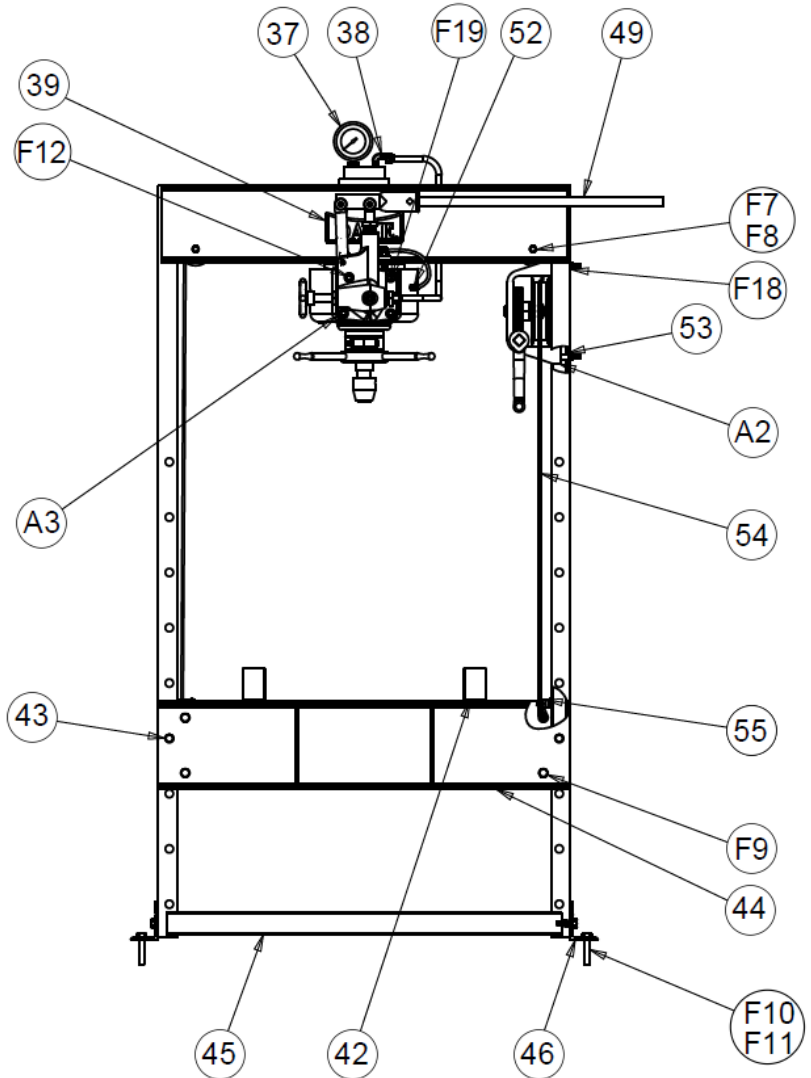
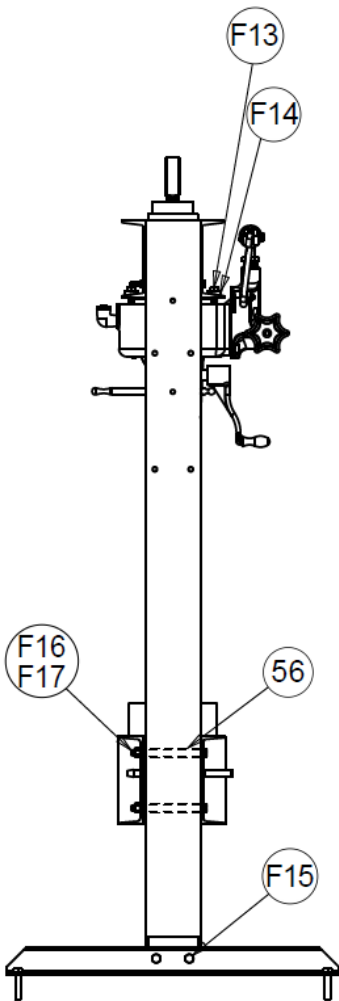
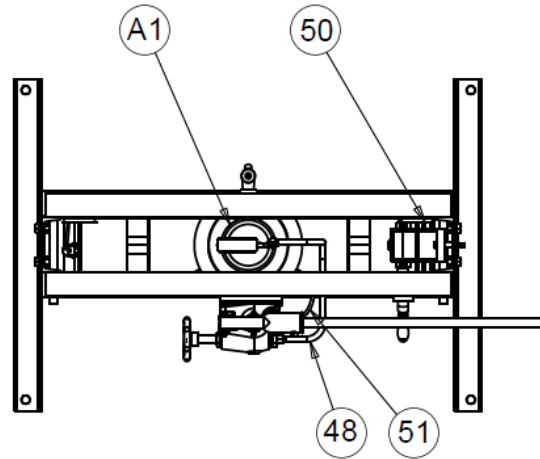
Item No.	Part Name	Part No.	Qty
13	Pump Plunger	554	1
14	Handle Socket Pin	594A	3
15	Valve Release Rod	1129	1
16	Valve Rod Packing Nut	576A	1
17	Valve Rod Packing	987	7
18	Pipe Plug (3/8")	588	1
19	Socket Set Screw (3/8"-16 x 5/8")	43589	1
20	Pump Gasket	591	1
41	Release Valve Handwheel	10631	1
F1	Screw (1/4"-20 x 1/2")	43301	1
F2	1/4" Flat Washer	43631	1

WORKHEAD ASSEMBLY



Item No.	Part Name	Part No.	Qty
21	Cylinder Gasket	998	1
22	Cylinder	960	1
23	Piston Leather (Serial No. < 192522)	969	1
23A	Packing Ring (Serial No. >192523)	17976	1
24	Piston Assembly (Serial No. < 192522)	701800	1
24A	Piston Assembly (Serial No. > 192523)	716221	1
24A	Piston	964	1
26	Ram Spring	968	1
27	Pipe Plug (1/2" NPTF)	596	1
28	Pipe Fitting Street Elbow (1/2")	45388	1
29	1/8" Pipe Plug	589	1
30	Oil Seal	999	1

Item No.	Part Name	Part No.	Qty
31	Piston Bumper	996	1
32	Clamp Ring	982	2
33	Screw Handwheel Assembly	716682	1
33A	Hub, Handwheel	86536P	
33B	Handle	86556P	
33C	Pin, Spiral or Roll	74923	
34	Screw	971	1
35	Screw Nose	986	1
35A	*If needed - Thumb Screw (1/4"-20 x 3/4")	43618	1
36	Reservoir	963	1
FA3	Air Vent Tube (1/4" x 3")	632	1
FA4	Pipe Plug (1/4") NPTF	1567	1
FA5	Hex Nut (3/8"-16)	43912	2
FA6	Hex Cap Screw (2-3/4 x 3/8"-16)	43335	2
N/A	Repair Kit – Cylinder & Hand Pump Assembly (Items: 5, 8, 17, 20, 21, 23, 30, 31)	701290	-

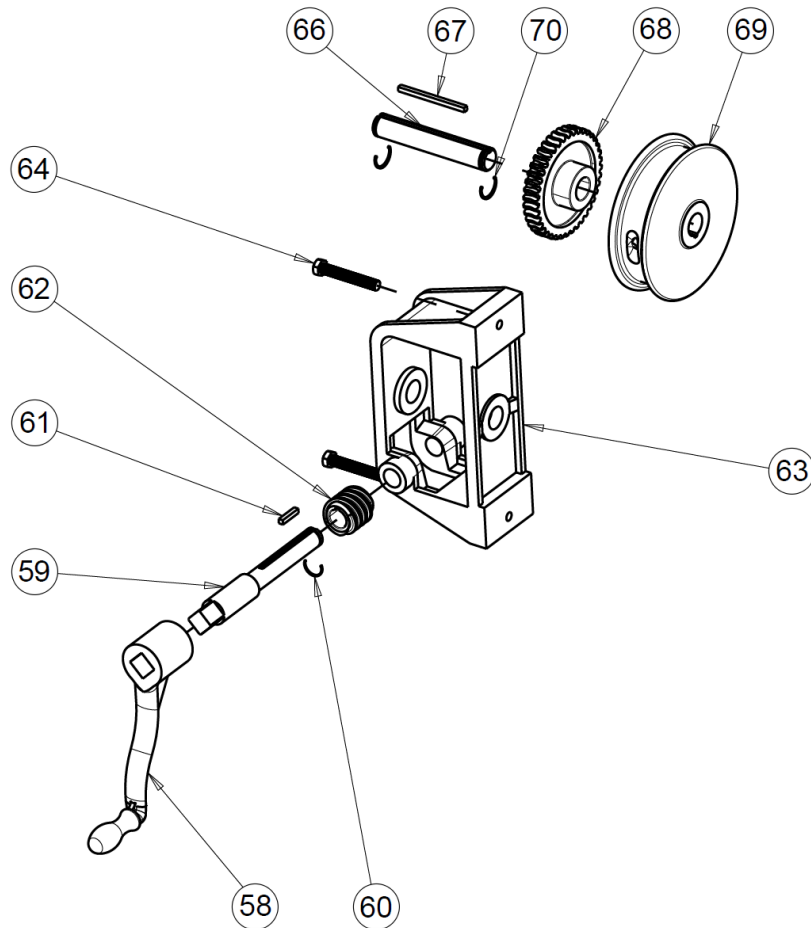


GENERAL ASSEMBLY PARTS LIST

Item No.	Part Name	Part No.	Qty
37	Hand Gauge	71265	1
37	Special Bushing	81384	1
38	Tube Fitting (37°)	1252	1
39	Dake Nameplate	81002	1
41	Release Valve Handwheel	10631	1
42	Table Plate	966	2
43	Table Pin	981	4
44	Table Channel	701020	2
45	Frame only	700134	1
46	Base Angle	978	2
47	Tube Fitting (3/8" NPTF, 37°)	1251	2
48	Tube Assembly	700133	1
49	Handle	218	1
50	Pulley	602-25H	2
51	Plastic Tube (1/4")	67761	1
52	Tube Fitting (1/8" NPTF, Straight)	71413	1
53	Hoist Spacer	997	2
54	Cable	988	1
55	Cable Clamp	583	4

Item No.	Part Name	Part No.	Qty
56	Table Spacer	86487	4
F7	Screw (3/8"-16 x 6")	43341	2
F8	Lock Washer (3/8")	43645	2
F9	Hex Nut (1/2"-13)	43916	8
F10	Lag Screw (1/2"-2 x 2-1/2")	72355	4
F11	Washer (1/2")	43634	4
F12	Soc. Head Cap Screw (1/2"-13 x 3")	24565	1
F13	Hex Cap Screw (1/2"-13 x 1-3/4")	43350	4
F14	Channel Washer Casting	25H138P	2
F15	Hex Cap Screw (1/2"-13 x 1-1/2")	43349	4
F16	Lock Washer (1/2")	43647	8
F17	Bolt (1/2"-13 x 6x1/2")	79982	4
F18	Hex Nut (3/8"-16)	43912	4
F19	Socket Cap Screw (1/2"-13 x 1-1/4")	43470	3
A1	Work head Assembly	907006	1
A2	Table Hoist Assembly – Includes Crank	700112	1
A3	Hand Pump Assembly	700887	1
N/A	Tag – No oil in reservoir	79956	1
N/A	Label – Made in U.S.A.	76936	1

HOIST ASSEMBLY



Item No.	Part Name	Part No.	Qty
58	Handle	1000	1
59	Worm Shaft	384	1
60	Retaining Ring	27437	2
61	Worm Key	47364	1
62	Worm	385	1
63	Hoist Frame	725	1

Item No.	Part Name	Part No.	Qty
64	Hex Cap Screw (3/8"-16 x 2-1/2")	43335	2
66	Drum Shaft	724	1
67	Drum Key	737	1
68	Worm Gear	736	1
69	Cable Drum	723	1
70	Retaining Ring	43992	1

Please contact factory for current prices.

ORDERING INFORMATION

Parts are available for direct purchase from Dake or through a distributor. When placing a parts order, you will need to provide the part number, name of part, and model number. All parts shipped F.O.B. Factory in Grand Haven, MI.