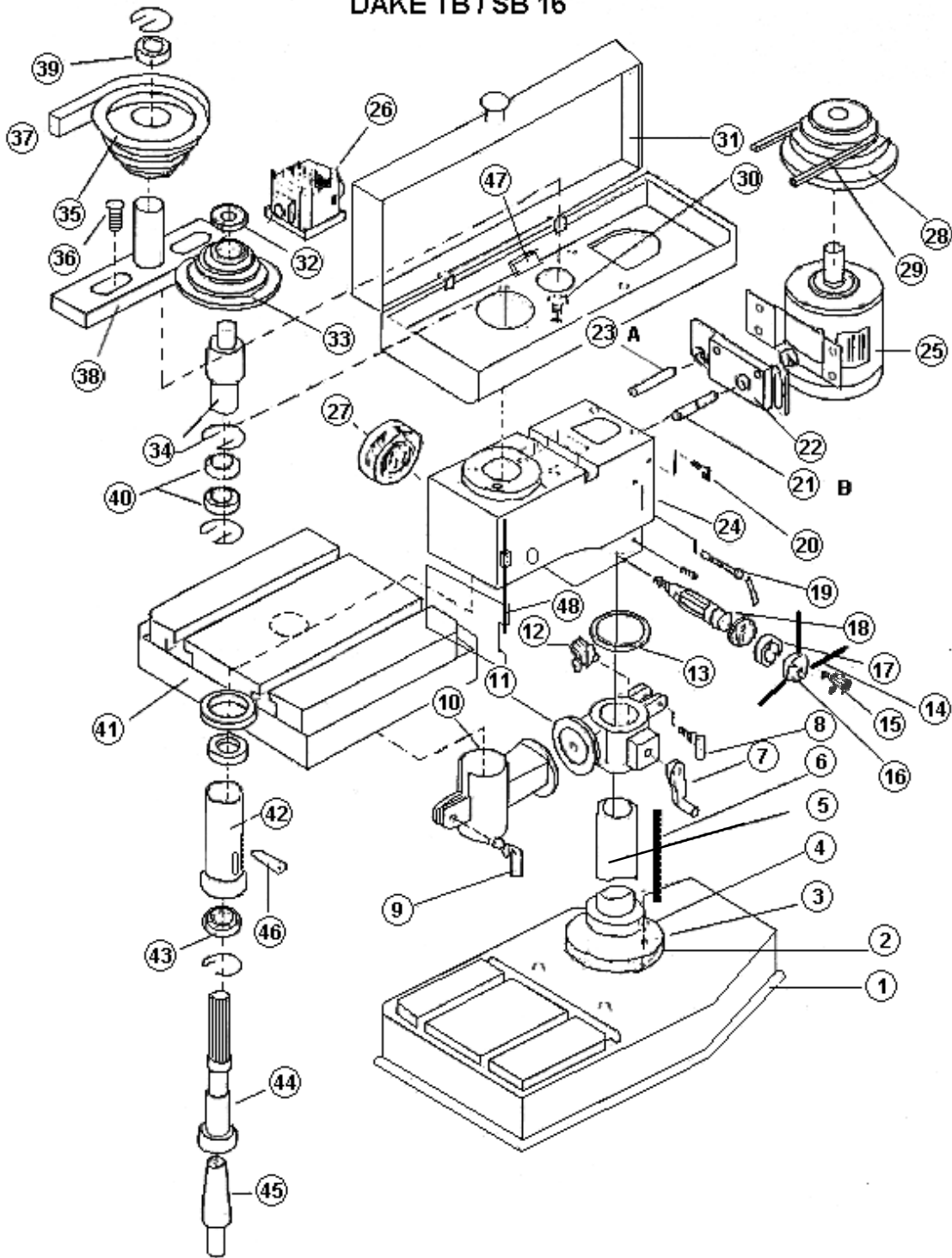


protection
POSITIONED CHUCK GUARD.

Emergency stop button. Belt cover interlock

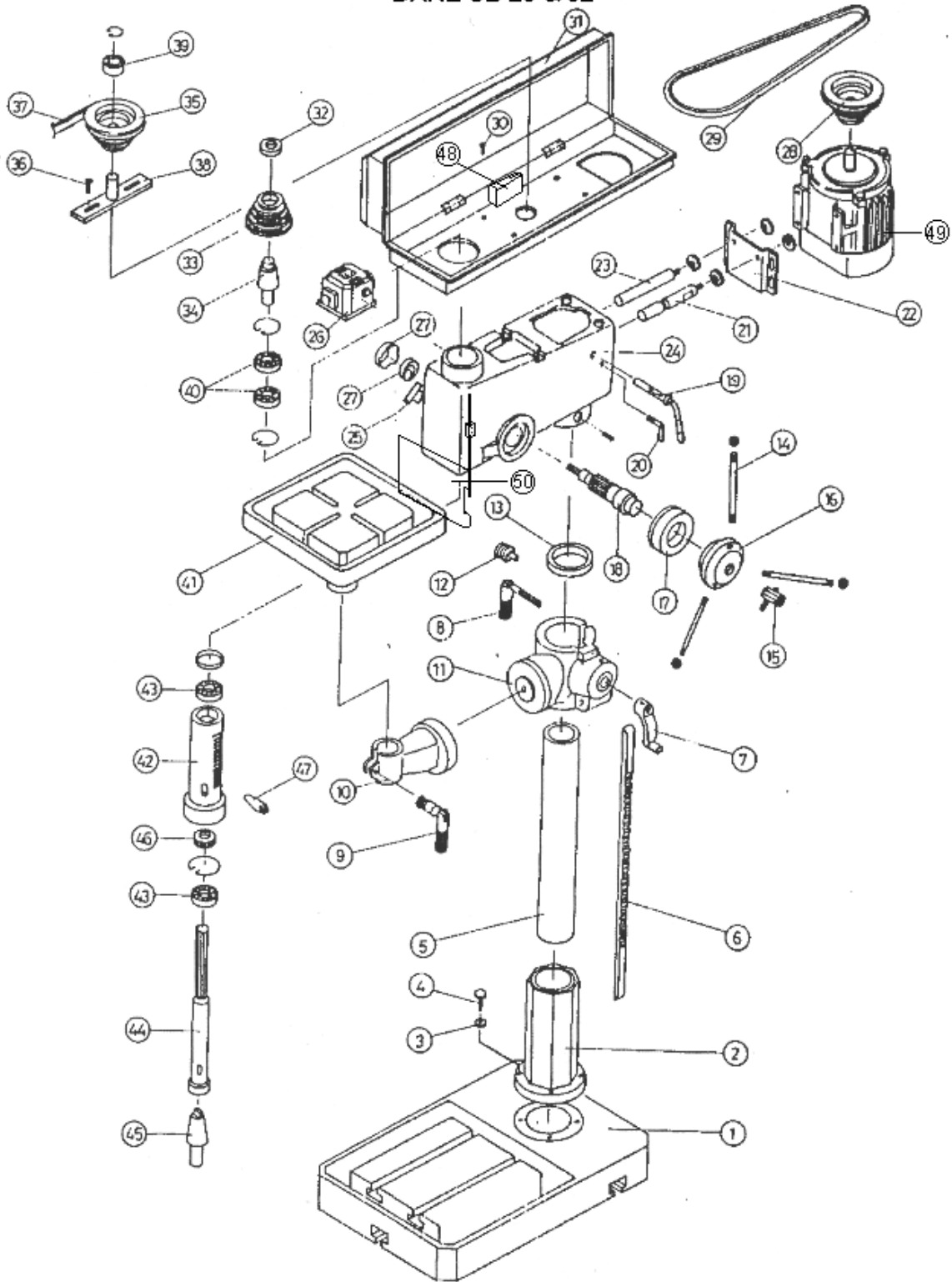
DAKE TB / SB 16



PARTS LIST for TB-16 / SB-16

Item No.	Description	TB-16	SB-16	Item No.	Description	TB-16	SB-16
1	Base TB-16	301002	301001	25	Motor	300993	300993
2	Flange	301003	301004	26	Switch	301024	301024
3	Spring Washer (4x)	13mm	13mm	27	Spring & Cap Base	301025	301025
4	Screw	300999	300999	28	Motor Pulley	301026	301026
5	Column	301005	301006	29	Belt A28	301027	301027
6	Rack	301007	301007	30	Screw (4x)	300998	300998
7	Handle	301008	301008	31	Pulley Cover	301028	301028
8	Clamp Bolt	301009	301009	32	Insert Pulley Nut	301029	301029
9	Clamp Bolt	301010	301010	33	Spindle Pulley	301030	301030
10	Table Arm	301011	301011	34	Insert Pulley Shaft	301031	301031
11	Table Bracket	301012	301012	35	Middle Pulley	301032	301032
12	Worm	301056	301056	36	Screw & Spring (2x)	301033	301033
13	Collar	301013	301013	37	Belt A23	301093	301093
14	Feed Handle (3x)	301014	301014	38	Middle Pulley Shaft	301034	301034
15	Lock Handle	301070	301070	39	Bearing 6203Z	300987	300987
15a	Lock Screw	302818	302818				
16	Feed Head	301016	301016	40	Bearing 6203Z	300987	300987
17	Spindle Scale	301017	301017	41	Table	301035	301035
18	Feed Shaft	301018	301018	42	Quill 1.85"	301036	301036
19	Belt Adjust Handle	301019	301019	43	Bearing 6003Z	300988	300988
20	Wing Bolt	301077	301077	44	Spindle	301037	301037
21	Road - B	301022	301022	45	Arbor	301038	301038
22	Motor Plate	301021	301021	46	Wedge	301039	301039
23	Road - A	301020	301020	47	Belt Cover Interlock Switch	300992	300992
24	Head	301023	301023	48	Plexiglas Chuck Guard	300997	300997
				N/A	Chuck 13mm	301870	301870

DAKE SB 25 & 32



PARTS LIST for SB-25 / SB-32

Item No.	Description	SB-25	SB-32	Item No.	Description	SB-25	SB-32
1	Base	301040	301041	27	Spring & Cap	301063	301064
2	Flange	301042	301043	28	Motor Pulley	301065	301065
3	Spring Washer (4x)	13 mm	13 mm	29	Belt	301066	301066
4	Screw	300999	300999	30	Screw (4x)	300998	300998
5	Column	301044	301045	31	Pulley Cover	301067	301068
6	Rack	301047	301046	32	Insert Pulley Nut	301085	301086
7	Handle	301048	301048	33	Spindle Pulley	301088	301087
8	Clamp Bolt	301049	301049	34	Insert Pulley Shaft	302218	302217
9	Clamp Bolt	301051	301051	35	Middle Pulley	301089	301090
10	Table Arm	301052	301053	36	Screw & Spring (2x)	301092	301092
11	Table Bracket	301055	301054	37	Belt	301093	301093
12	Worm	301056	301056	38	Middle Pulley Shaft	301094	301094
13	Collar	301057	301058	39	Bearing 6203Z	300987	300987
14	Feed Handle (3x)	301059	301059	40	Bearing 6203Z	300987	300987
15	Lock Handle	301070	301070	41	Table	301095	301096
15 a	Lock Screw	302818	302818				
16	Feed Head	301069	301069	42	Quill 25 model 2.42" 32 model 2.98"	301098	301097
17	Spindle Scale	301071	301072	43	6025Z & 6206Z (SB-25) Bearing	300990	300990
18	Feed Shaft	301073	301074		6006Z & 6208Z (SB-32) Bearing	300989	300989
19	Belt Adjust Handle	301075	301076	44	Spindle	301099	301100
20	Wing Bolt	301077	301078	45	Arbor	301101	301102
21	Road - A	301079	301080	46	Seal	N/A	N/A
22	Motor Plate	301081	301081	47	Wedge	301104	301103
23	Road - B	301082	301083	48	Belt Cover Interlock Switch	300992	300992
24	Head	301060	301084	49	Motor	300996	300994
25	Spring Base	N/A	N/A	50	Plexiglas Chuck Guard	300995	300995
26	Switch	301061	301062	N/A	Chuck 16mm	301966	301966