



10 MACHINE COMPONENTS

10.1 - List of spare parts

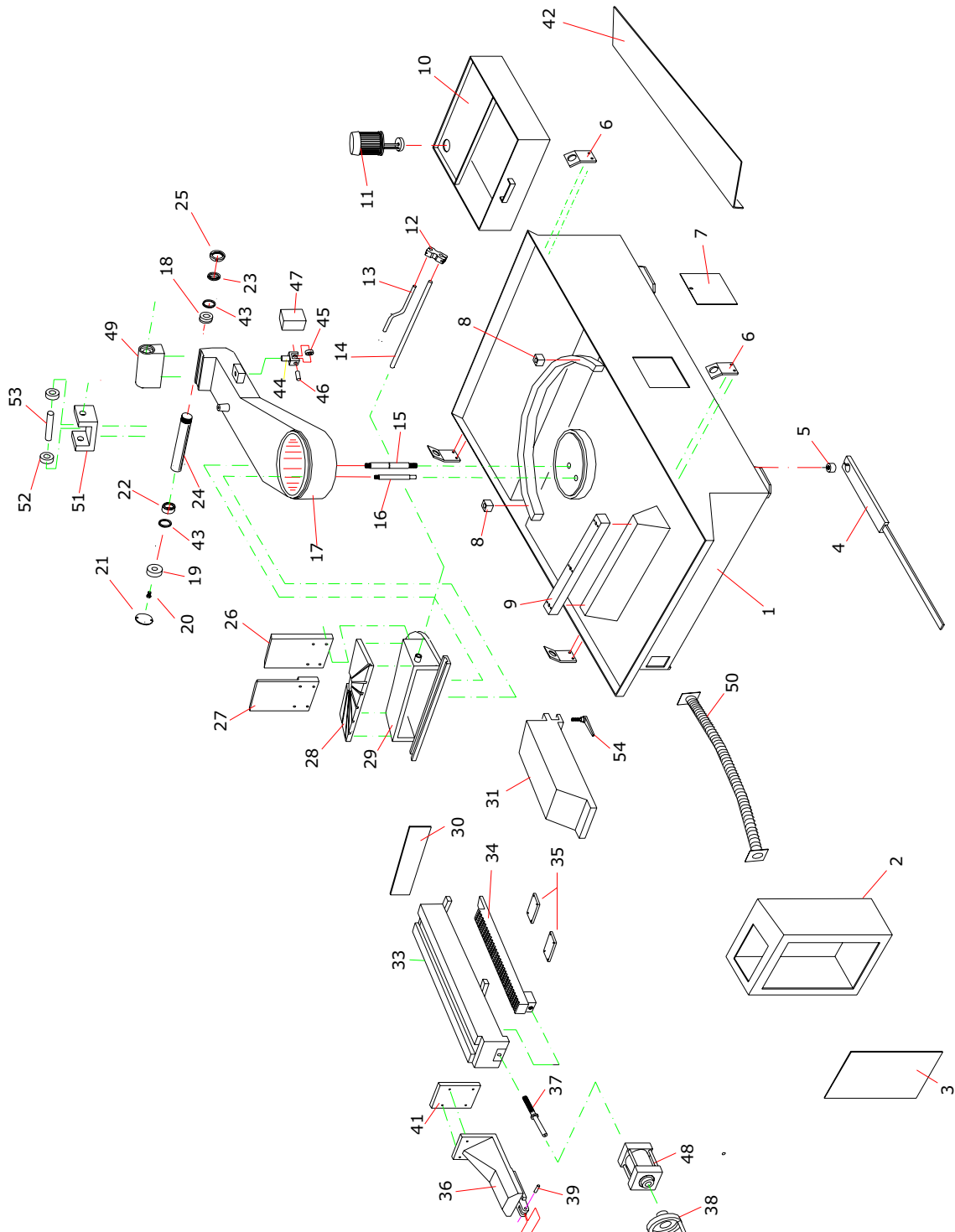
REFERENCE N°	DENOMINATION
1	Bedframe
2	Electric box
3	Electric parts housing guard
4	Revolving arm lock lever
5	Arm lock bush
6	Machine hoisting hook
7	Lateral guard
8	Stroke-end stop
9	Adjustable bracket
10	Refrigerating liquid tank
11	Electropump
12	Bar stop body
13	Bar stop push rod
14	Bar stop rod
15	Revolving arm pin
16	Countervice pin
17	Revolving arm
18	Bearing 32008 X
19	Bushing
20	Screw
21	Hinge pin protection
22	Bearing 32008 X
23	Hinge pin spacer
24	Hinge pin
25	Ring nut guk M 40x1,5
26	Countervice r.h. jaw
27	Countervice l.h. jaw
28	Interchangeable plate
29	Countervice
30	Countervice anterior guard
31	Pieces support
32	
33	Vice support
34	Rack
35	Rack support
36	Vice
37	Vice screw
38	Handwheel
39	Pin
40	Pawl
41	Vice jaw
42	Crucible
43	Ring NILOS 32008 XAV

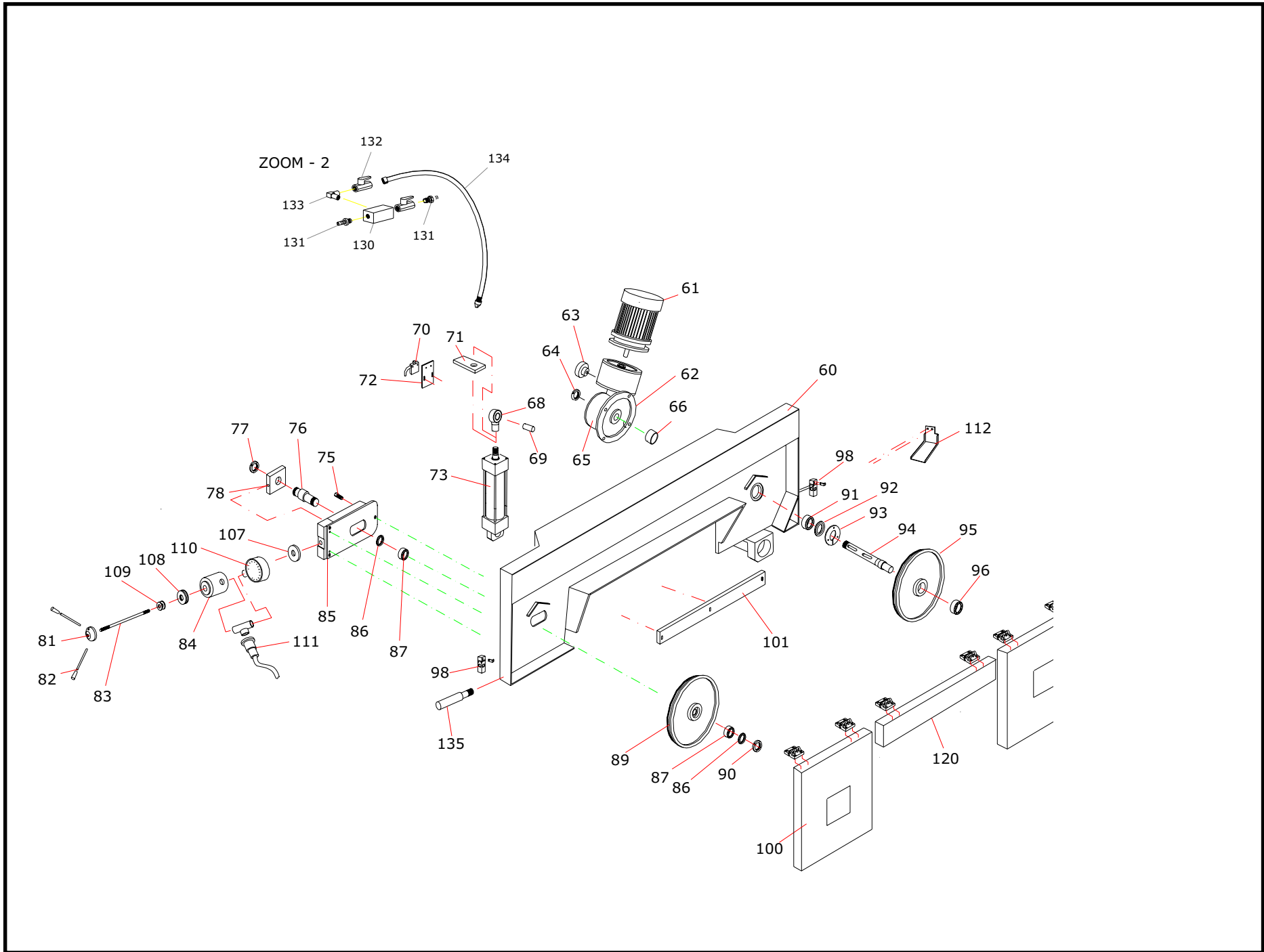
REFERENCE N°	DENOMINATION
44	Bearing fork
45	Bearing SKF NATV 17 PPI
46	Pin
47	Bearing protection
48	Hydraulic vice cilinder
49	Hinge pin support
50	Sheath
51	Saw frame cylinder support
52	Bush
53	Pin
54	Handle



REFERENCE N°	DENOMINATION
60	Sawframe
61	Electric motor
62	Speed variator
63	Speed variator handwheel
64	Ring nut guk M 40x1,5
65	Speed reducer
66	Spacer
67	
68	Cylinder joint
69	Cylinder superior pin
70	Microswitch
71	Plate
72	Plate
73	Sawframe cylinder
74	
75	Adjustable screw
76	transmission flywheel pin
77	Ring nut guk M 45x1,5
78	Blade tightening slide
79	
80	
81	Handle
82	Blade tightening handwheel pin
83	Pin
84	Blade tightening Cylinder
85	Bracket
86	Ring NILOS 32209 XAV
87	Bearing 32209 XAV
88	
89	Transmission flywheel
90	Ring nut guk M 45 x 1,5
91	Bearing 3309 2RS
92	Ring NILOS 3309 AV
93	Bearing protection
94	Motor flywheel shaft
95	Motor flywheel
96	Cone clamping EUROCONIC
97	Blade guide protection
98	Microswitch
99	R.h Flywheel protection
100	L.h. Flywheel protection
101	Blade guide arm guide
102	L.h. adjustable blade guide arm
103	R.h. adjustable blade guide arm
104	Hand lever
105	
106	Additional protection

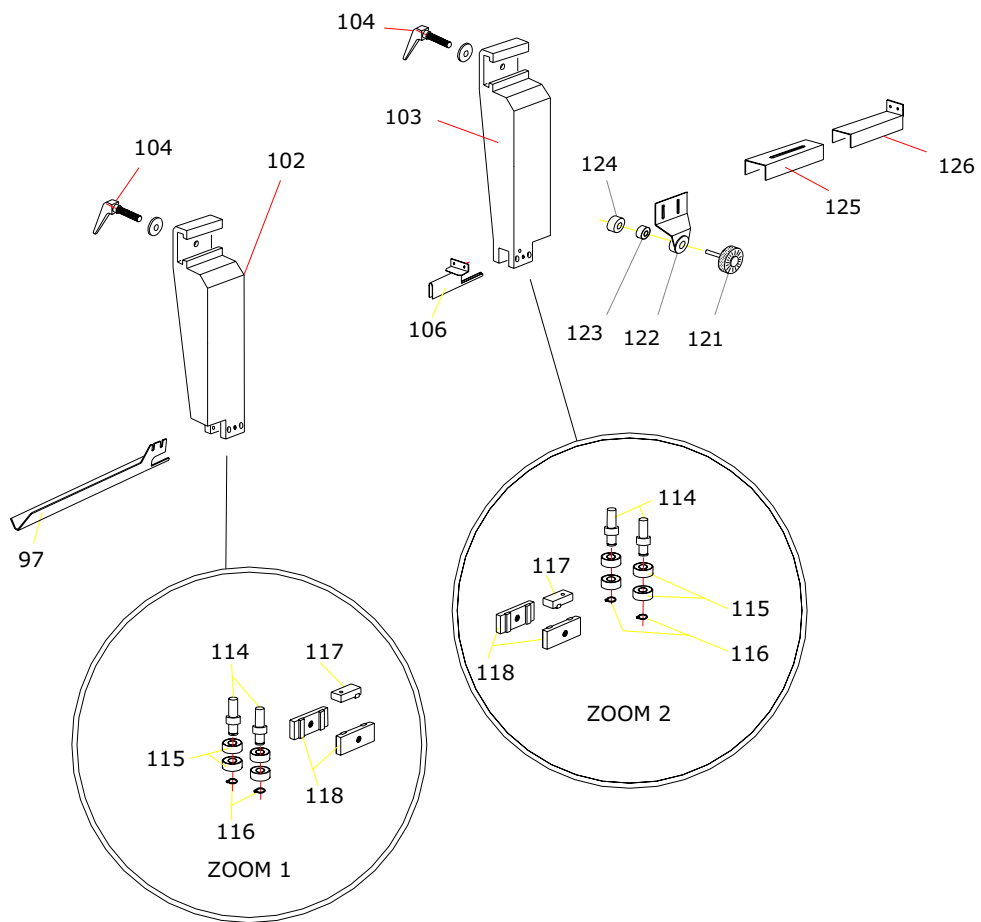
REFERENCE N°	DENOMINATION
107	Spacer
108	Bearing 51204
109	Spring washer
110	Manometer
111	Pressure switch
112	Rear crucible
113	
114	Blade guide bearing pin
115	Bearing 6200 2RS
116	Ring seeger Ø 10
117	Upper blade guide pad
118	Lateral blade guide pad
119	Hinge
120	Middle protection
121	Brush
122	Brush support
123	Bearing 626 2RS
124	Brush ring
125	Blade protection
126	Auxiliary blade protection
127	
130	Distributor block
131	Coupling
132	Cooling liquid cock
133	
134	Flexible tube
135	Handgripp





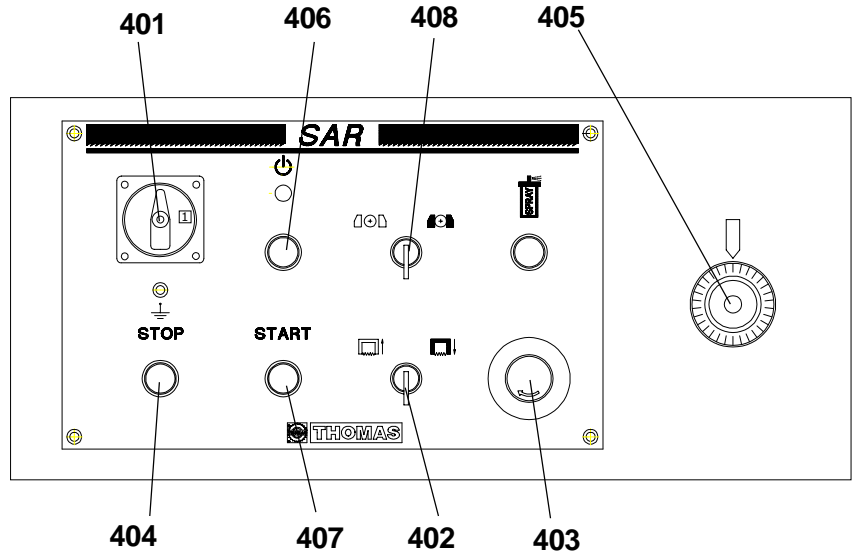
THOMAS

SAR 440SA GDS



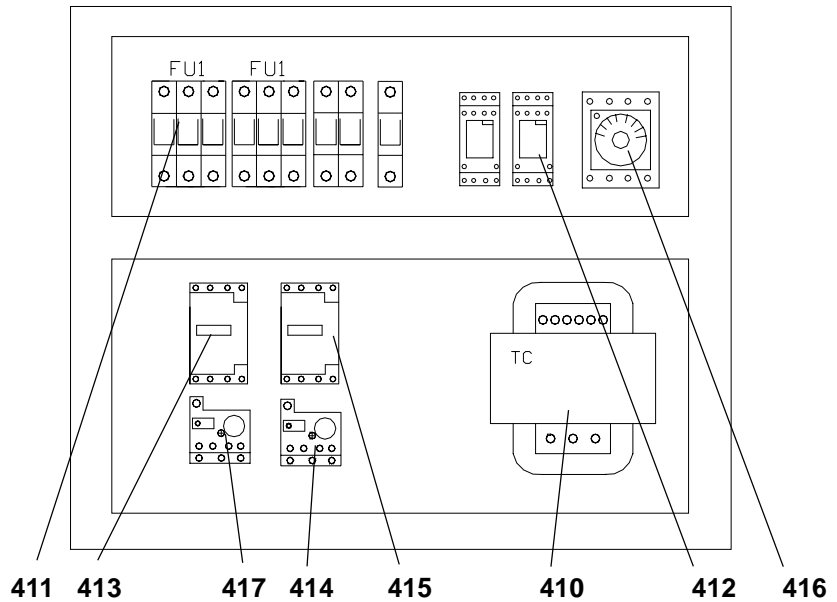
KEY:

- 401 Main switch
- 402 Arch movement selector
- 403 Emergency switch
- 404 STOP button
- 405 Regulator arch descent
- 406 On-line button
- 407 Start button
- 408 Vice selector



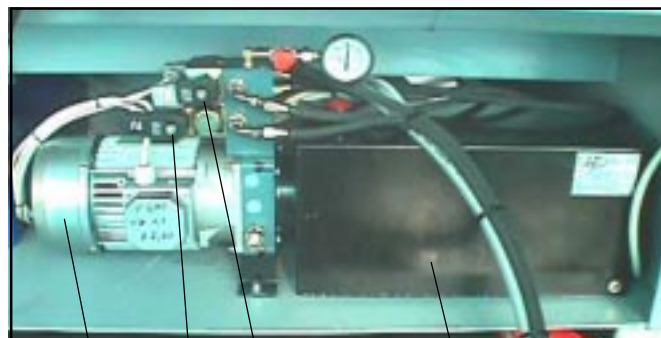
KEY:

- 410 Transformer
- 411 Fuse cartridge
- 412 Relay (Kb)
- 413 Remote switch
- 414 Thermal motor
- 415 Remote switch
- 416 Timer
- 417 Thermal motor



KEY:

- 421 Motor gear case id.
- 422 Vice electrovalve-solenoid
- 423 Gear case tank id.
- 424 Sawframe electrovalve-solenoid



- 421
- 424
- 422
- 423