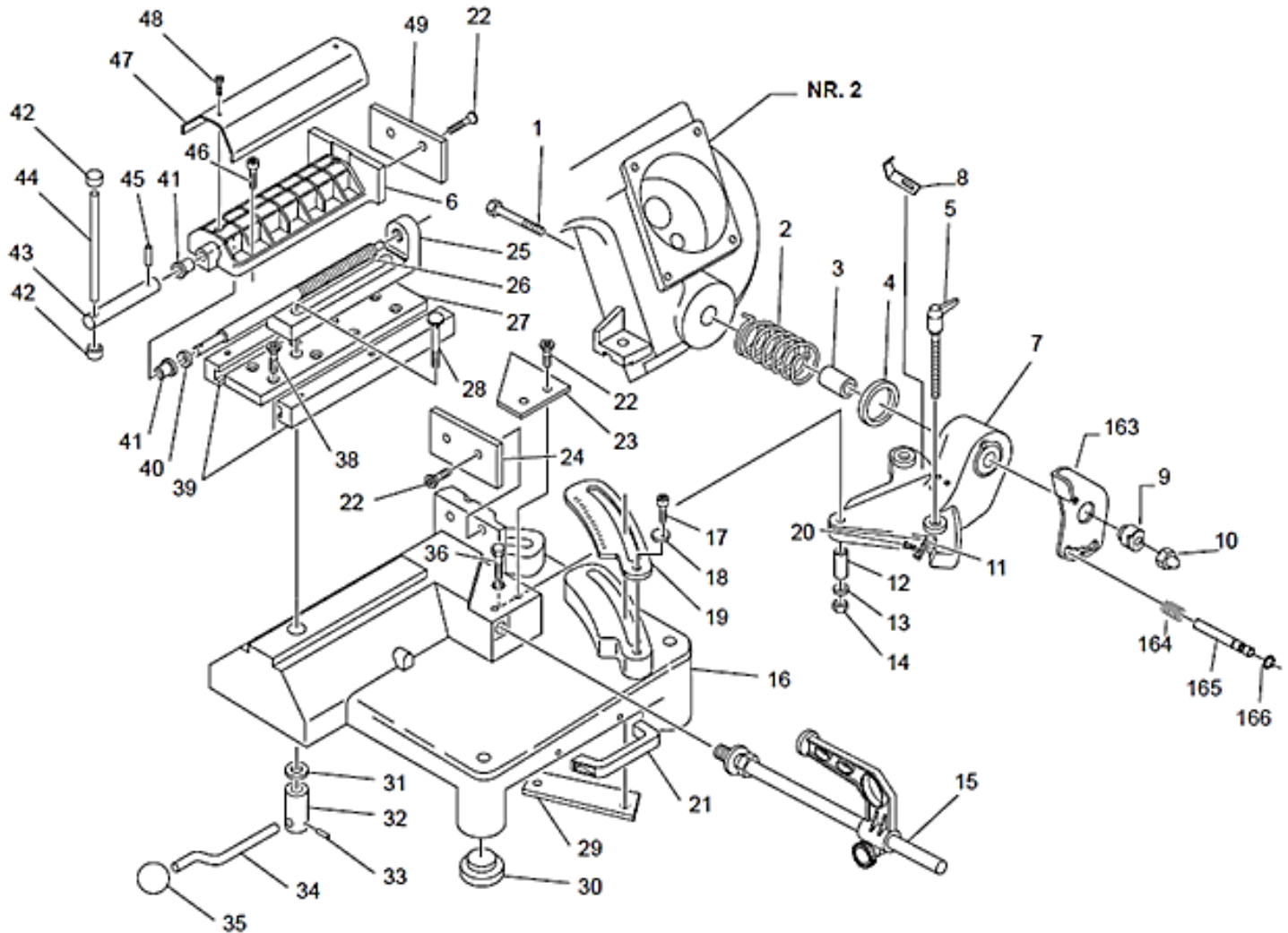


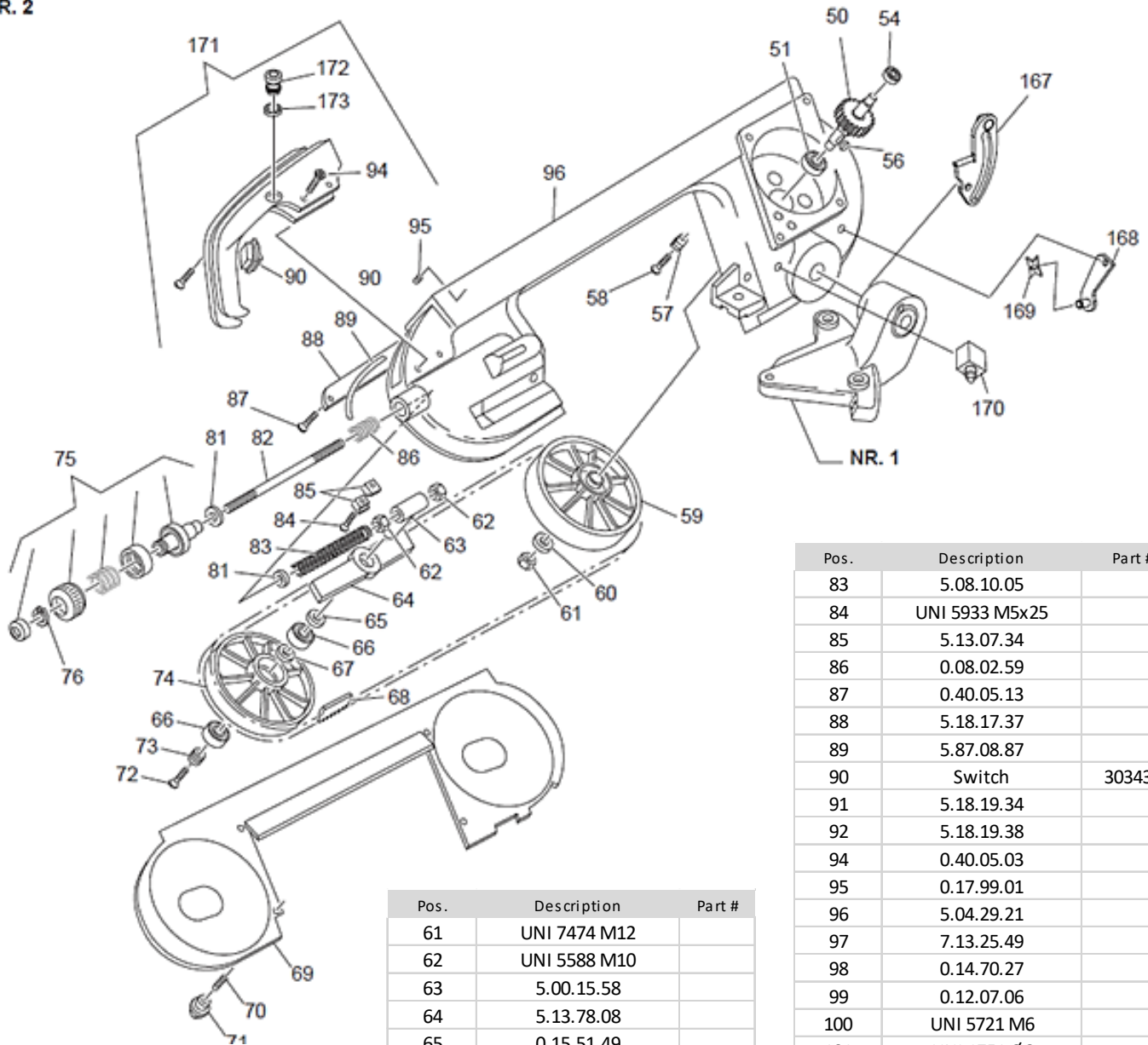
EXPLODED VIEWS & PART LIST

NR. 1



Pos.	Description	Part #	Pos.	Description	Part #	Pos.	Description	Part #
1	Uni 5737 M14x100		16	5.13.38.29		31	5.12.40.56	
2	5.08.01.81		17	UNI 5931 M6x16		32	5.17.10.56	
3	0.06.30.40		18	5.12.40.29		33	0.15.26.30	
4	5.12.40.50		19	5.40.40.12		34	5.14.20.80	
5	0.14.70.06		20	0.40.29.05		35	Handle for vise lock	303401
-	0.45.08.80		21	Handgrip	303402	36	UNI 5739 M8x40	
6	5.04.29.22		22	UNI 5933 M8x20		37		
7	5.13.81.02		23	5.13.77.96		38	UNI 5933 M10x30	
8	Support bracket	303403	24	5.15.26.36		39	5.13.03.94	
9	5.17.10.94		25	5.13.08.34		40	5.12.40.48	
10	UNI 5721 M14		26	5.10.03.29		41	0.06.30.39	
11	5.15.95.13		27	5.13.03.93		42	Lever cover	303437
13	0.12.07.18		28	UNI 5732 M12x100		43	5.13.07.44	
14	UNI 7473 M8		29	5.13.77.78		44	5.14.20.23	
15	7.13.05.52		30	Rest foot	303414	45	0.15.26.31	

NR. 2

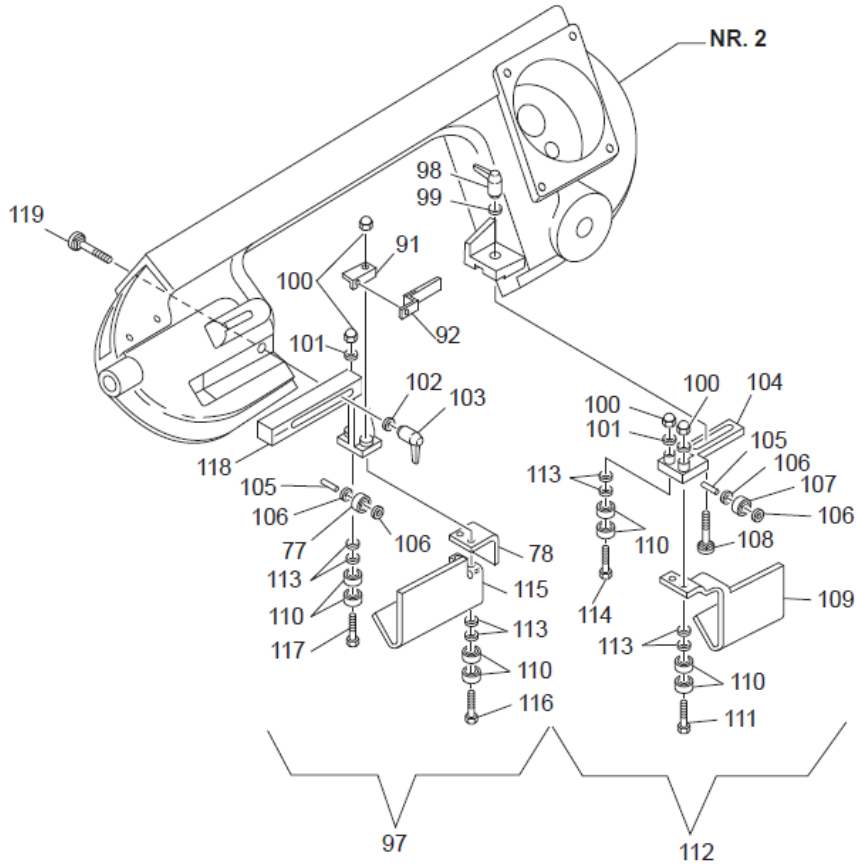


Pos.	Description	Part #
46	UNI 5961 M6x25	
47	5.18.28.29	
48	0.40.05.13	
49	5.15.26.37	
50	Gear group	303436
51	0.60.62.05	
54	0.58.62.00	
56	0.15.01.39	
57	5.15.41.03	
58	0.40.05.11	
59	Drive wheel	303411
60	UNI 6592 Ø12	

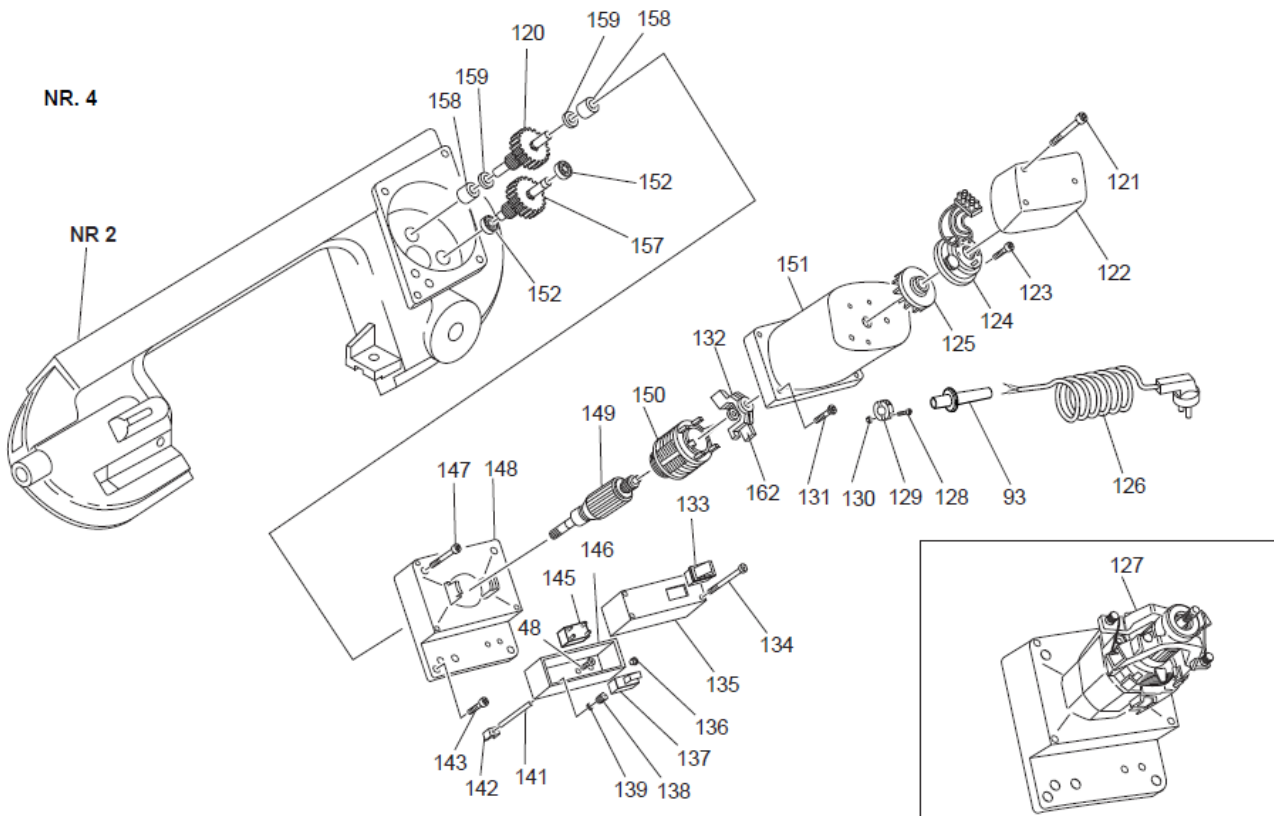
Pos.	Description	Part #
61	UNI 7474 M12	
62	UNI 5588 M10	
63	5.00.15.58	
64	5.13.78.08	
65	0.15.51.49	
66	0.60.62.04	
67	0.15.51.16	
68	Blade protection	303427
69	5.18.17.36	
70	UNI 5923 M5x16	
71	Cover wing nut	303400
72	UNI 5933 M8x20"	
73	5.12.40.47	
74	5.21.42.22	
75	Blade tensioning group	303430
76	UNI 1751 Ø6	
77	0.59.06.24	
78	5.18.17.38	
81	UNI 6592 Ø10	
82	5.10.05.04	

Pos.	Description	Part #
83	5.08.10.05	
84	UNI 5933 M5x25	
85	5.13.07.34	
86	0.08.02.59	
87	0.40.05.13	
88	5.18.17.37	
89	5.87.08.87	
90	Switch	303431
91	5.18.19.34	
92	5.18.19.38	
94	0.40.05.03	
95	0.17.99.01	
96	5.04.29.21	
97	7.13.25.49	
98	0.14.70.27	
99	0.12.07.06	
100	UNI 5721 M6	
101	UNI 1751 Ø6	
102	0.12.07.18	
103	0.14.70.29	
104	5.13.07.74	
105	0.17.40.16	
106	0.12.90.04	
107	0.59.06.34	
108	UNI 5732 M6x20	
109	5.18.19.36	
110	Ball bearing	7x19x 6 2RS
111	5.10.00.75	
112	7.13.25.48	
113	5.12.06.38	
114	5.10.00.74	
115	5.18.19.37	
116	5.10.00.64	

NR. 3



NR. 4





Pos.	Description	Part #
117	5.10.00.65	
117	5.13.07.71	
119	UNI 5731 M8x30	
120	Gear	303432
121	0.42.40.60	
122	Motor cover	303406
123	0.42.07.69	
124	7.82.01.53	
125	5.85.01.11	
126	5.87.10.81	
127	Complete motor	303433
129	5.15.45.01	
131	0.40.04.00	
132	5.85.00.06	
133	0.80.23.16	
134	UNI 6954 P8x45	
135	5.18.25.04	
136	0.16.85.07	
137	Microswitch	303434
138	5.08.10.08	
139	0.16.85.13	
141	5.13.08.33	
142	5.13.08.06	
143	UNI 5931 M6x16	
146	5.18.29.31	
147	UNI 5931 M6x40	
148	5.18.25.05	
149	7.01.31.60	
151	5.18.28.39	
152	0.58.62.00	
157	Gear	303435
158	Cage bearing	HK 1212
159	0.12.40.26	
162	Motor brushes	303395
163	Speed select brakcet	303429

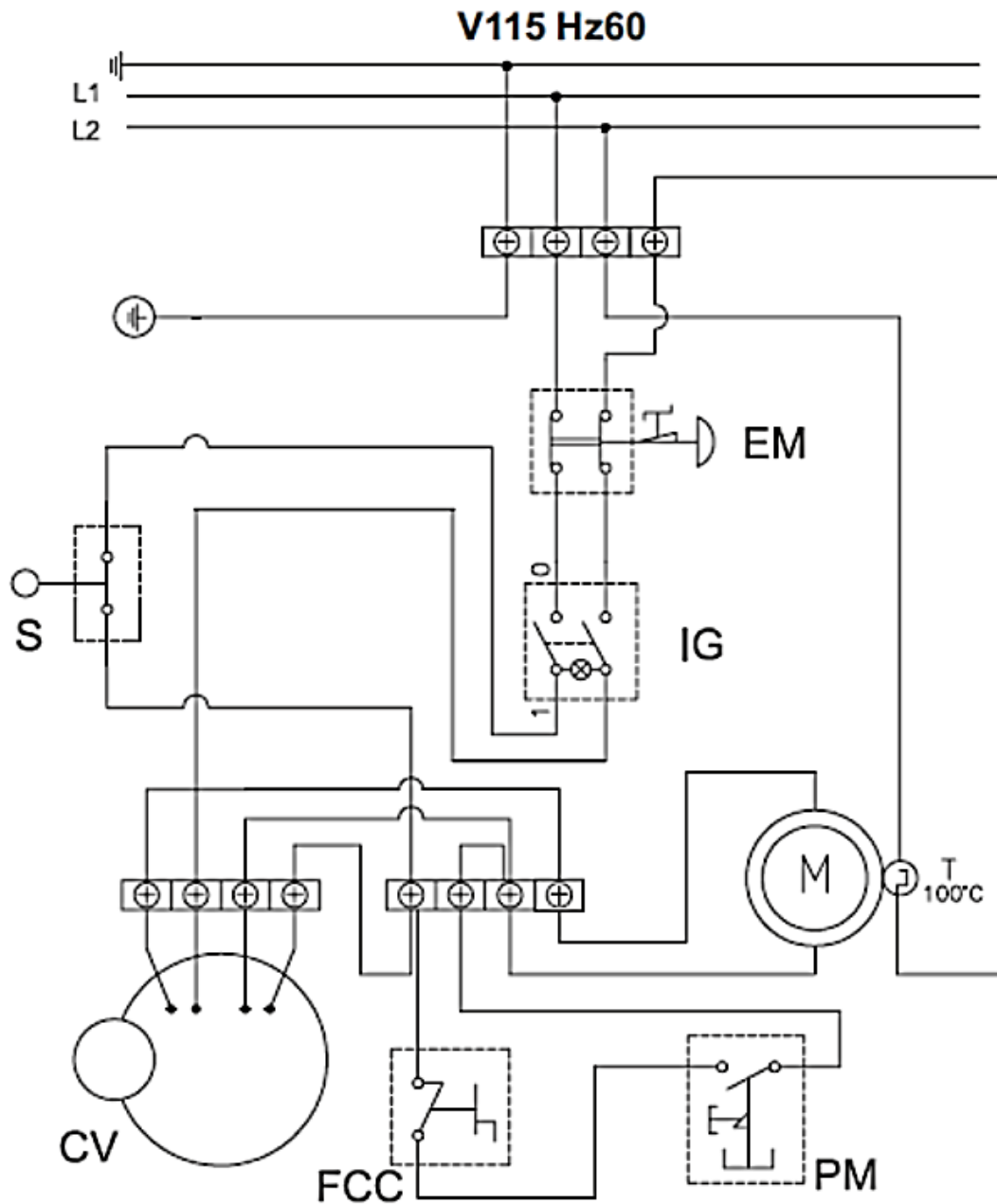
Pos.	Description	Part #
164	5.08.01.29	
165	5.17.10.90	
166	5.13.09.63	
167	Cam Support	303399
168	Throttle support	303398
169	Throttle plate	303397
170	End of cut micro	303396
171	Handle complete	303428
172	0.80.60.29	
173	5.12.40.91	
-	Free wheel group	303426

Please contact factory for current prices.

ORDERING INFORMATION

Parts are available for direct purchase from Dake or through a distributor. When placing a parts order, you will need to provide the part number, name of part, and model number. All parts shipped F.O.B. Factory in Grand Haven, MI.

ELECTRICAL COMPONENTS



EM	Emergency stop button
IG	Main switch
S	Limit switch
CV	Speed changer
PM	Run button
M	Motor MF
T	Thermal circuit breaker
FCC	End of cut micro switch