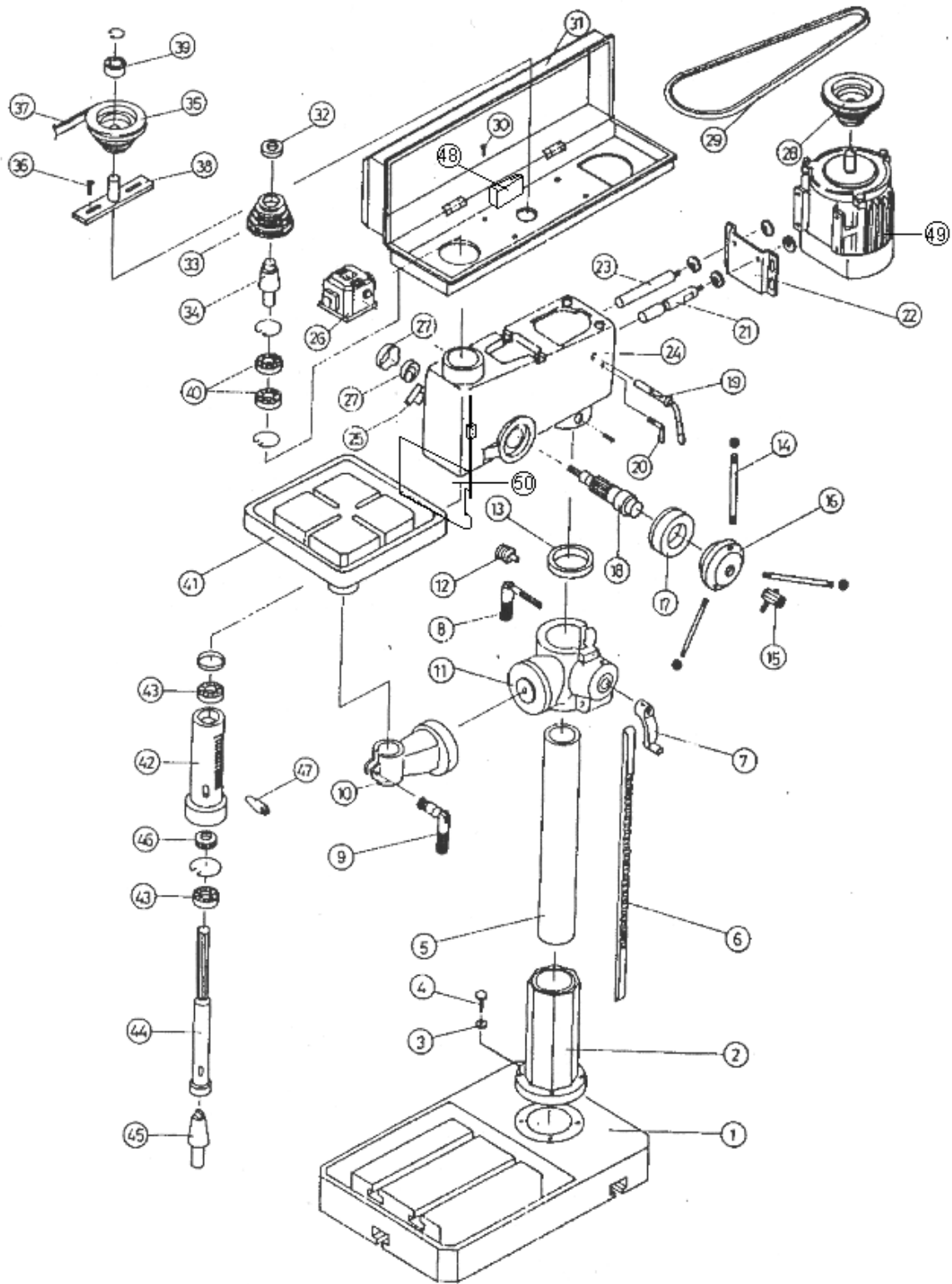


# SB 32V

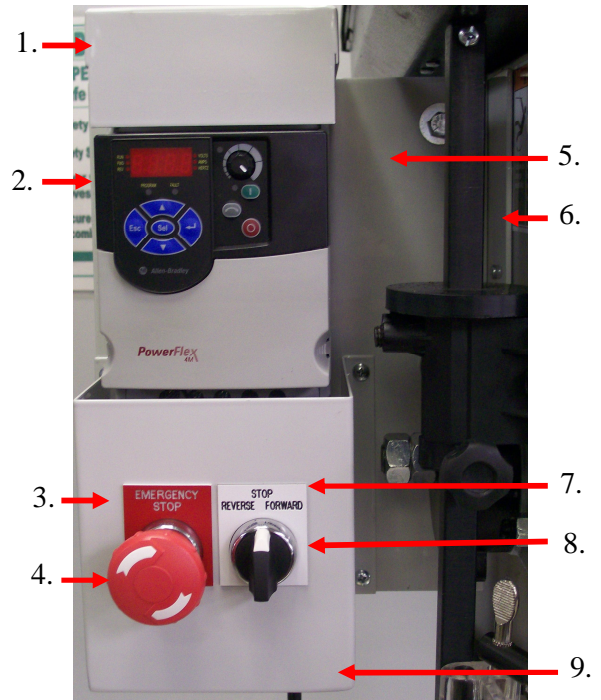


## PARTS LIST for SB-32V

Item No.	Description	Part #	Item No.	Description	Part #
1	Base	301041	27	Spring & Cap	301064
2	Flange	301043	28	Motor Pulley	301065
3	Spring Washer (4x)	13 mm	29	Belt	301066
4	Screw	300999	30	Screw (4x)	300998
5	Column	301045	31	Pulley Cover	301068
6	Rack	301046	32	Insert Pulley Nut	301086
7	Handle	301048	33	Spindle Pulley	301087
8	Clamp Bolt	301049	34	Insert Pulley Shaft	302217
9	Clamp Bolt	301051	35	Middle Pulley	301090
10	Table Arm	301053	36	Screw & Spring (2x)	301092
11	Table Bracket	301054	37	Belt	301093
12	Worm	301056	38	Middle Pulley Shaft	301094
13	Collar	301058	39	Bearing 6203Z	300987
14	Feed Handle (3x)	301059	40	Bearing 6203Z	300987
15	Lock Handle	301070	41	Table	301096
16	Feed Head	301069	42	Quill 2.98"	301097
17	Spindle Scale	301072	43	6006Z & 6208Z (SB-32) Bearing	300989
18	Feed Shaft	301074	44	Spindle	301100
19	Belt Adjust Handle	301076	45	Arbor	301102
20	Wing Bolt	301078	46	Seal	N/A
21	Road - A	301080	47	Wedge	301103
22	Motor Plate	301081	48	Belt Cover Interlock Switch	300992
23	Road - B	301083	49	Motor	300994
24	Head	301084	50	Plexiglas Chuck Guard	300995
25	Spring Base	N/A	N/A	Chuck 16mm	301966
26	Switch	301062	N/A	Key 16mm	301967

## ADDITIONAL PARTS LIST

Parts list			
Item #	Part name	Part #	Qty.
1	Top cover	87377	1
2	Drive unit	302704	1
3	Name plate emergency stop	301904	1
4	Emergency stop button	716538	1
5	Back mounting plate	87378	1
6	Bracket	87382	1
7	Name plate reverse stop forward	302746	1
8	Selector Switch	302730	1
9	Switch mounting box	87379	1



Parts list items not shown		
Part name	Part number	Quantity
Cord set with plug	300529	1
Motor grommet	300540	1
Contact block N.O.	301782	2
Metal latch	301785	1
Cable 4 wire	302683	1
Hex bolt for mounting bracket 5/16-18 x 3/4	43314	2
washer for mounting bracket 5/16 flat	43632	2
Lock washer for mounting bracket 5/16	43644	2
Nut for mounting bracket 5/16-18 heavy	43911	2
Top mounting screws top bracket #10-24 x 1/2	43847	2
Nut for top mounting screws #10-24	43905	2
Screws self-tapping	43881	7
Connector cord	75151	2
Locknut conduit 1/2"	75257	2