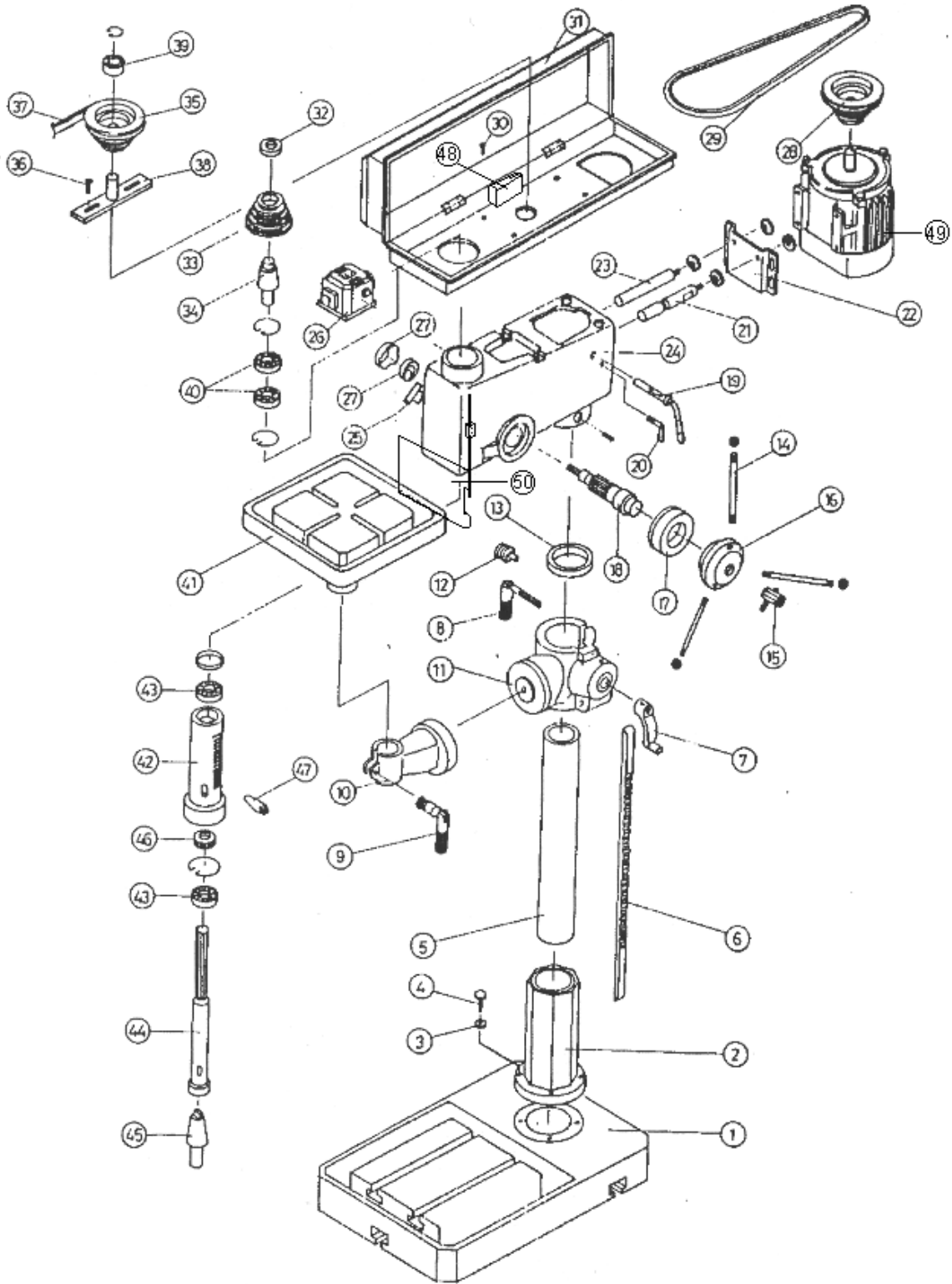


SB 25V

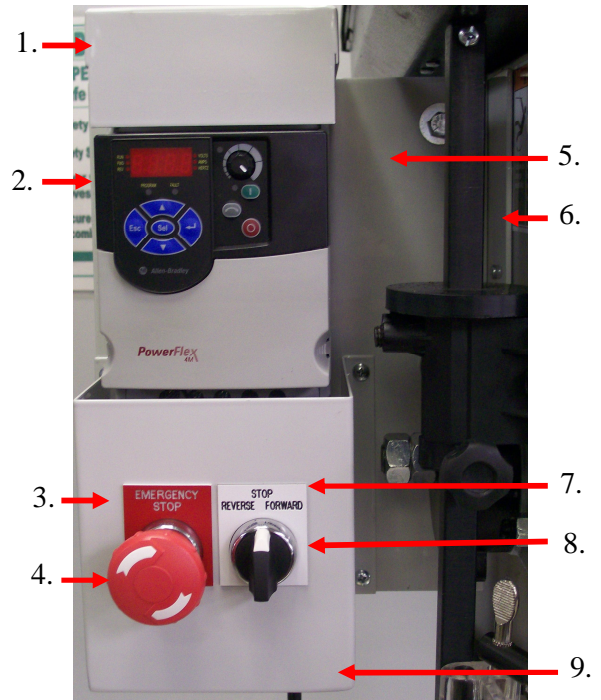


PARTS LIST for SB-25 / SB-32

Item No.	Description	SB-25	SB-32	Item No.	Description	SB-25	SB-32
1	Base	301040	301041	27	Spring & Cap	301063	301064
2	Flange	301042	301043	28	Motor Pulley	301065	301065
3	Spring Washer (4x)	13 mm	13 mm	29	Belt	301066	301066
4	Screw	300999	300999	30	Screw (4x)	300998	300998
5	Column	301044	301045	31	Pulley Cover	301067	301068
6	Rack	301047	301046	32	Insert Pulley Nut	301085	301086
7	Handle	301048	301048	33	Spindle Pulley	301088	301087
8	Clamp Bolt	301049	301049	34	Insert Pulley Shaft	302218	302217
9	Clamp Bolt	301051	301051	35	Middle Pulley	301089	301090
10	Table Arm	301052	301053	36	Screw & Spring (2x)	301092	301092
11	Table Bracket	301055	301054	37	Belt	301093	301093
12	Worm	301056	301056	38	Middle Pulley Shaft	301094	301094
13	Collar	301057	301058	39	Bearing 6203Z	300987	300987
14	Feed Handle (3x)	301059	301059	40	Bearing 6203Z	300987	300987
15	Lock Handle	301070	301070	41	Table	301095	301096
16	Feed Head	301069	301069	42	Quill 25 model 2.42" 32 model 2.98"	301098	301097
17	Spindle Scale	301071	301072	43	6025Z & 6206Z (SB-25) Bearing	300990	300990
18	Feed Shaft	301073	301074		6006Z & 6208Z (SB-32) Bearing	300989	300989
19	Belt Adjust Handle	301075	301076	44	Spindle	301099	301100
20	Wing Bolt	301077	301078	45	Arbor	301101	301102
21	Road - A	301079	301080	46	Seal	N/A	N/A
22	Motor Plate	301081	301081	47	Wedge	301104	301103
23	Road - B	301082	301083	48	Belt Cover Interlock Switch	300992	300992
24	Head	301060	301084	49	Motor	300996	300994
25	Spring Base	N/A	N/A	50	Plexiglas Chuck Guard	300995	300995
26	Switch	301061	301062	N/A	Chuck 16mm	301966	301966
				N/A	Key 16mm	301967	301967

ADDITIONAL PARTS LIST

Parts list			
Item #	Part name	Part #	Qty.
1	Top cover	87377	1
2	Drive unit	302704	1
3	Name plate emergency stop	301904	1
4	Emergency stop button	716538	1
5	Back mounting plate	87378	1
6	Bracket	87382	1
7	Name plate reverse stop forward	302746	1
8	Selector Switch	302730	1
9	Switch mounting box	87379	1



Parts list items not shown		
Part name	Part number	Quantity
Cord set with plug	300529	1
Motor grommet	300540	1
Contact block N.O.	301782	2
Metal latch	301785	1
Cable 4 wire	302683	1
Hex bolt for mounting bracket 5/16-18 x 3/4	43314	2
washer for mounting bracket 5/16 flat	43632	2
Lock washer for mounting bracket 5/16	43644	2
Nut for mounting bracket 5/16-18 heavy	43911	2
Top mounting screws top bracket #10-24 x 1/2	43847	2
Nut for top mounting screws #10-24	43905	2
Screws self-tapping	43881	7
Connector cord	75151	2
Locknut conduit 1/2"	75257	2