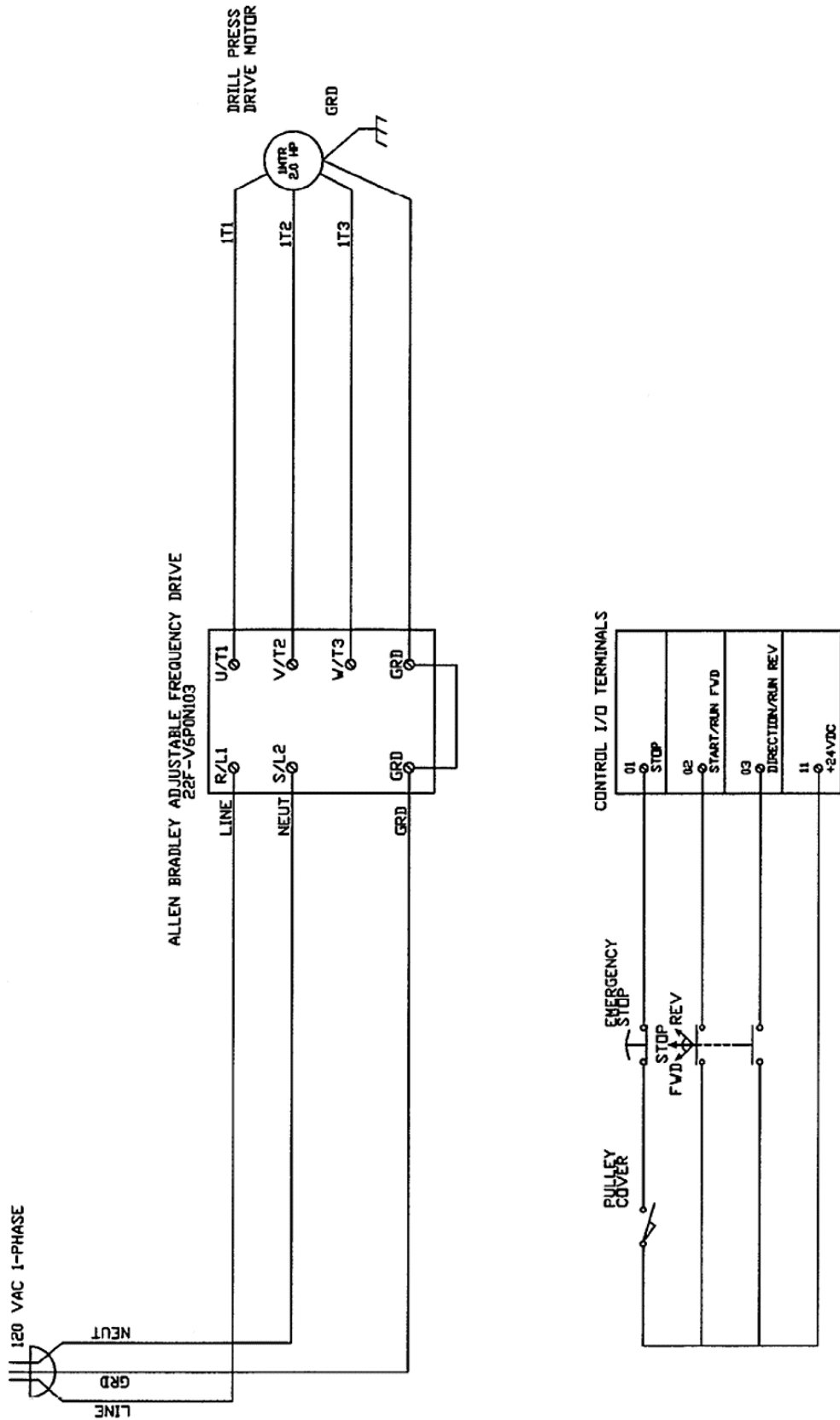
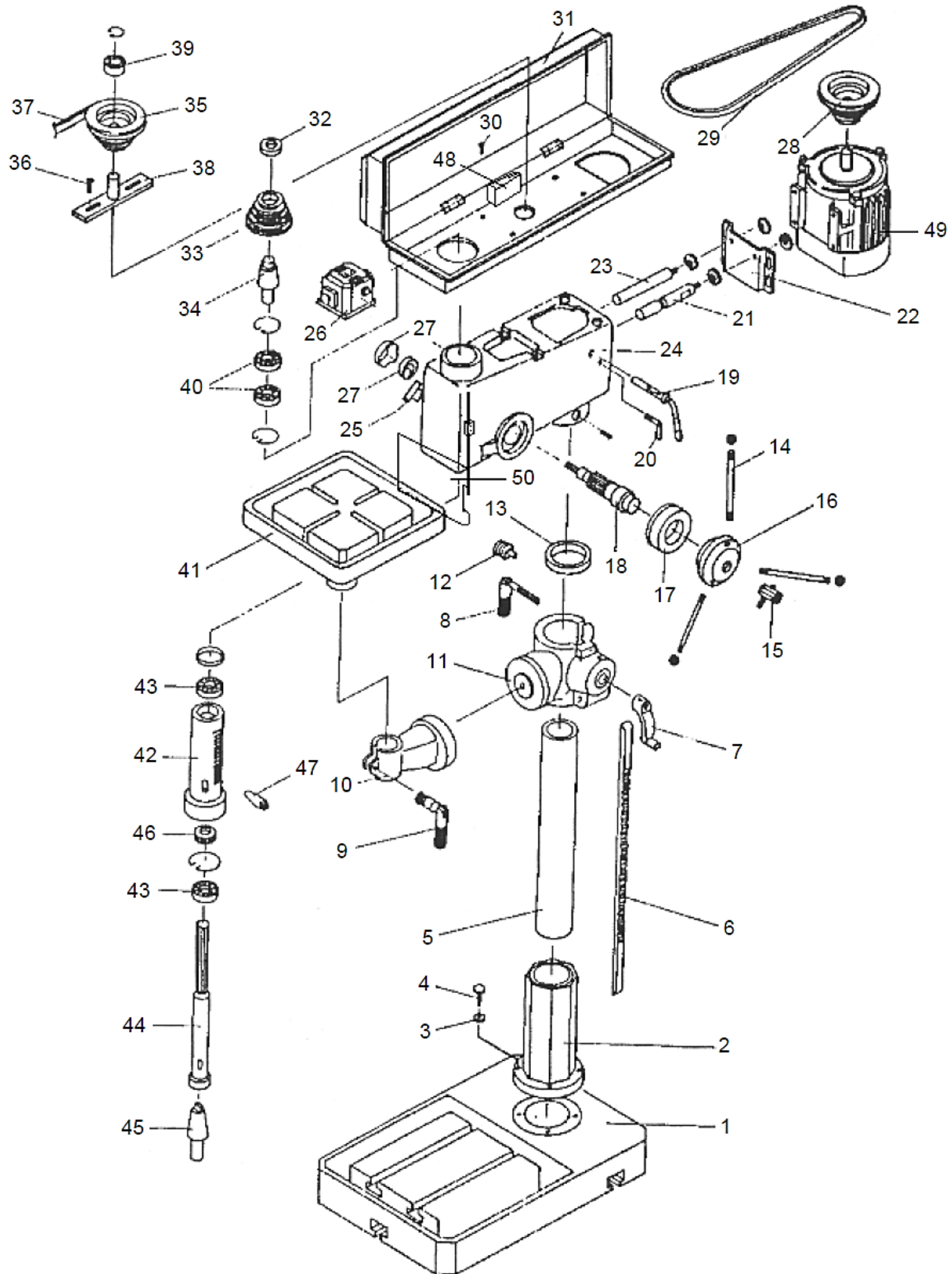


ELECTRICAL DIAGRAM



EXPLODED VIEWS & PART LISTS

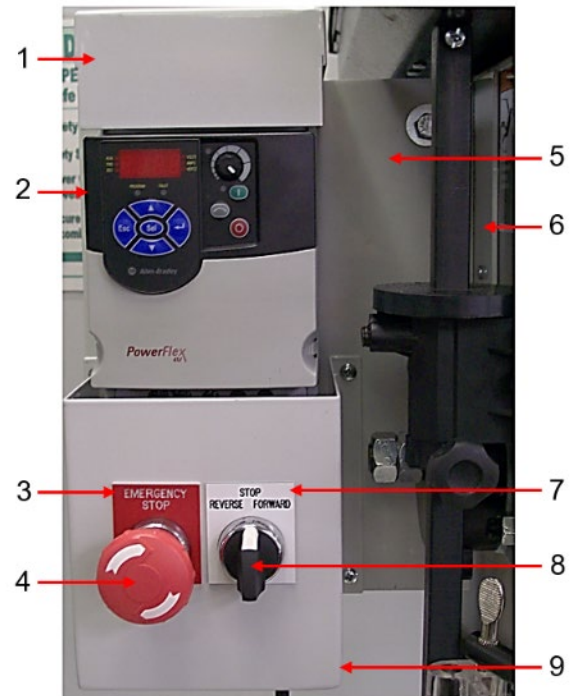


<u>Item No.</u>	<u>Part Description</u>	<u>Part No.</u>
1	Base	301040
2	Flange	301042
3	Spring Washer (4x)	13mm
4	Screw (M13 x 16mm L)	300999
5	Column	301044
6	Rack	301047
7	Handle	301048
8	Clamp Bolt	301049
9	Clamp Bolt	301051
10	Table Arm	301052
11	Table Bracket	301055
12	Worm	301056
13	Collar	301057
14	Feed Handle (3x)	301059
15	Lock Handle	301070
15A	Lock Screw	302818
16	Feed Head	301069
17	Spindle Scale	301071
18	Feed Shaft	301073
19	Belt Adjust Handle	301075
20	Wing Bolt	301077
21	Road – A	301079
22	Motor Plate	301081
23	Road – B	301082
24	Head	301060
25	Spring Base	N/A
26	Switch	301061
27	Spring & Cap	301063
28	Motor Pulley	301065
29	Belt	301066
30	Screw (4x)	300998
31	Pulley Cover	301067
32	Insert Pulley Nut	301085
33	Spindle Pulley	301088
34	Insert Pulley Shaft	302218
35	Middle Pulley	301089

<u>Item No.</u>	<u>Part Description</u>	<u>Part No.</u>
36	Screw & Spring (2x)	301092
37	Belt A23	301093
38	Middle Pulley Shaft	301094
39	Bearing 6203Z	300987
40	Bearing 6203Z	300987
41	Table	301095
42	Quill	301098
43	Bearing	300990
43	Bearing	300989
44	Spindle	301099
45	Arbor	301101
46	Seal	N/A
47	Wedge	301104
48	Belt Cover Interlock Switch	300992
49	Motor	300996
50	Plexiglass Chuck Guard	300995
N/A	Chuck (16mm)	301966
N/A	Key (16mm)	301967

Additional Parts:

<u>Item No.</u>	<u>Part Description</u>	<u>Part No.</u>
1	Top Cover	87377
2	Drive Unit	302704
3	E-Stop Name Plate	301904
4	E-Stop Button	716538
5	Back Mounting Plate	87378
6	Bracket	87382
7	Selector Name Plate	302746
8	Selector Switch	302730
9	Switch Mounting Box	87379





Parts not shown:

Part Description	Part No.	Qty.
Cord set with Plug	300529	1
Motor Grommet	300540	1
Contact Block N.O.	301782	2
Metal Latch	301785	1
Cable 4 Wire	302683	1
Bolt for Mounting Bracket (5/16"-18 x 3/4")	43314	2
Washer for Mounting Bracket (5/16" Flat)	43632	2
Lock Washer for Mounting Bracket (5/16")	43644	2
Nut for Mounting Bracket (5/16"-18, heavy)	43911	2
Top Mounting Screw for Top Bracket (#10-24 x 24)	43847	2
Nut for Top Mounting Screw (#10-24)	43905	2
Self-tapping Screw	43881	7
Connector Cord	75151	2
Conduit Locknut (1/2")	75257	2

Please contact factory for current prices.

ORDERING INFORMATION

Parts are available for direct purchase from Dake or through a distributor. When placing a parts order, you will need to provide the part number, name of part, and model number. All parts shipped F.O.B. Factory in Grand Haven, MI