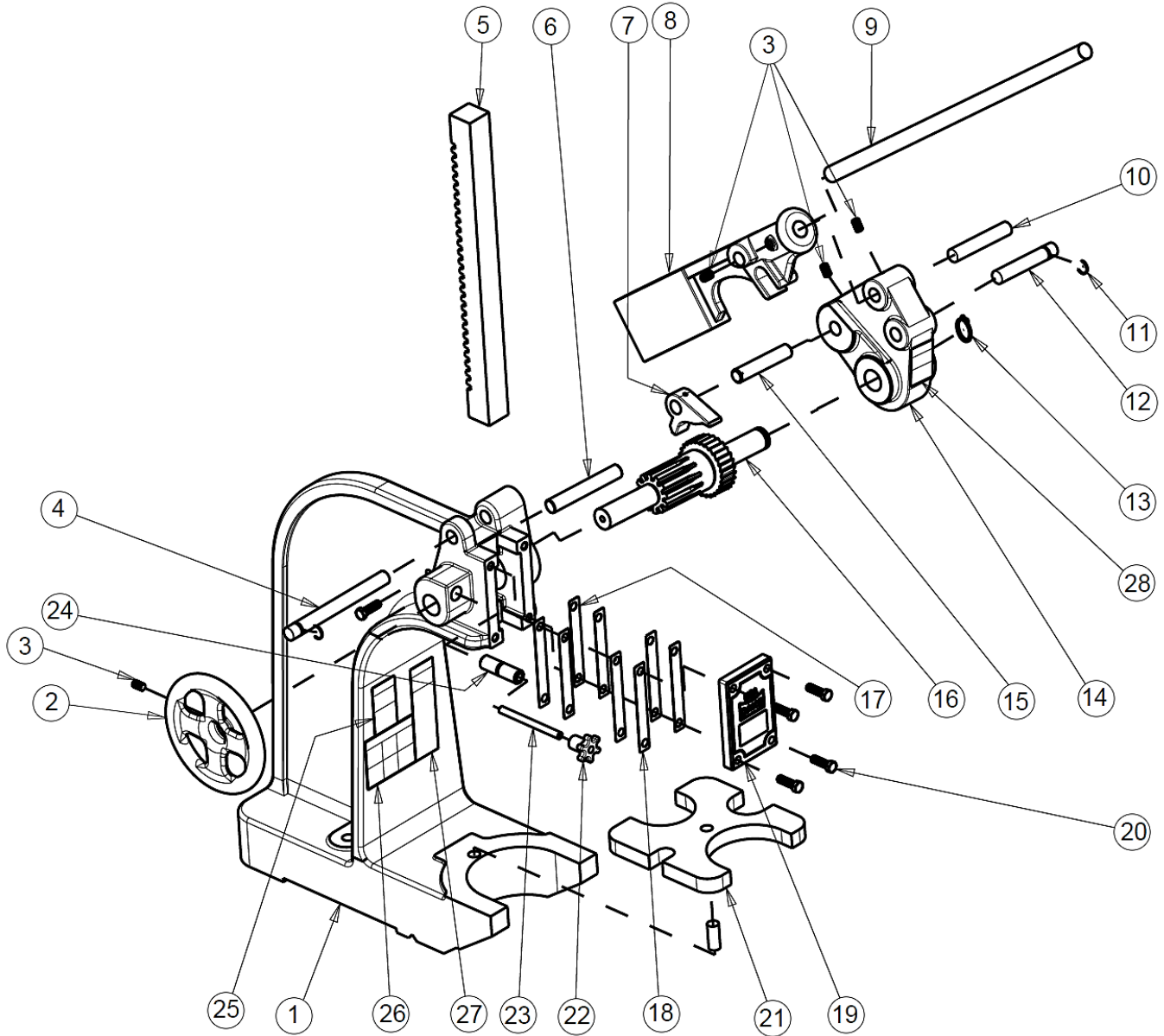


# EXPLODED VIEW & PARTS LIST

## EXPLODED PARTS VIEW



\*Some parts may differ in appearance between press models.

## PARTS LIST

Item	Parts Name	Part Number			Qty
		Model 2	Model 2-1/2	Model 2B	
1	Frame	194	233	228	1
2	Handwheel	232	232	232	1
3	Headless Set Screw (3/8"-16 x 5/8")	43589	43589	43589	4
4	Long Sliding Pin	221	221	221	1
5	Ram	212	234	212	1
6	Compound Rest Pin	217	217	217	1
7	Pawl	211	211	211	1
8	Lever Weight	210	210	210	1
9	Handle	218	218	218	1
10	Lever Weight Pin	220	220	220	1
11	Retaining Ring Nat'l 2SO-230	43978	43978	43978	2
12	Short Sliding Pin	222	222	222	1
13	Retaining Ring	67955	67955	67955	1
14	Compound Casting	209	209	209	1
15	Pawl Pin	219	219	219	1
16	Spindle	224	224	224	1
17	Ram Cap Shim (.008")	207	207	207	6
18	Ram Cap Shim (.015")	208	208	208	2
19	Ram Cap	201	201	201	1
20	Hex Cap Screw (3/8"-16 x 1-1/4")	43330	43328 (3/8"-16 x 1")	43330 (3/8"-16 x 1-1/4")	5
21	Table Plate Assembly	700936	700936	700937	1
22	Hand Brake Clamp	215	215	215	1
23	Hand Brake Stud	223A	223A	223A	1
24	Hand Brake	214	214	214	2
25	Warning Label – Tipping	79979	79979	79979	1
26	Warning Label – Ganged	300168	300168	300168	1
27	Warning Label – Pinch Point	87130	87130	87130	1
28	Warning Label – Free Fall	302416	302416	302416	1

***Please contact factory for current prices.***

## ORDERING INFORMATION

Parts are available for direct purchase from Dake or through a distributor. When placing a parts order, you will need to provide the part number, name of part, and model number. All parts shipped F.O.B. Factory in Grand Haven, MI.