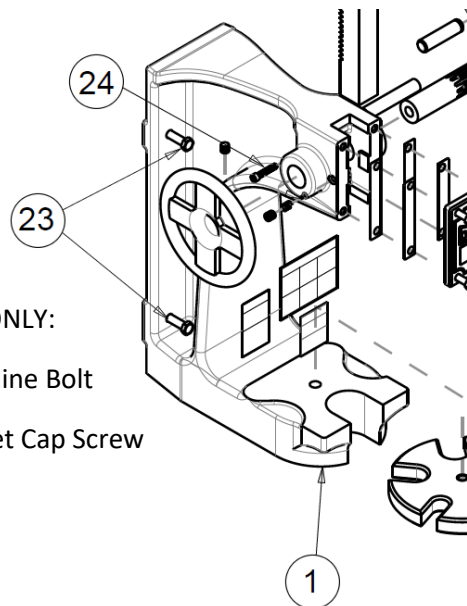
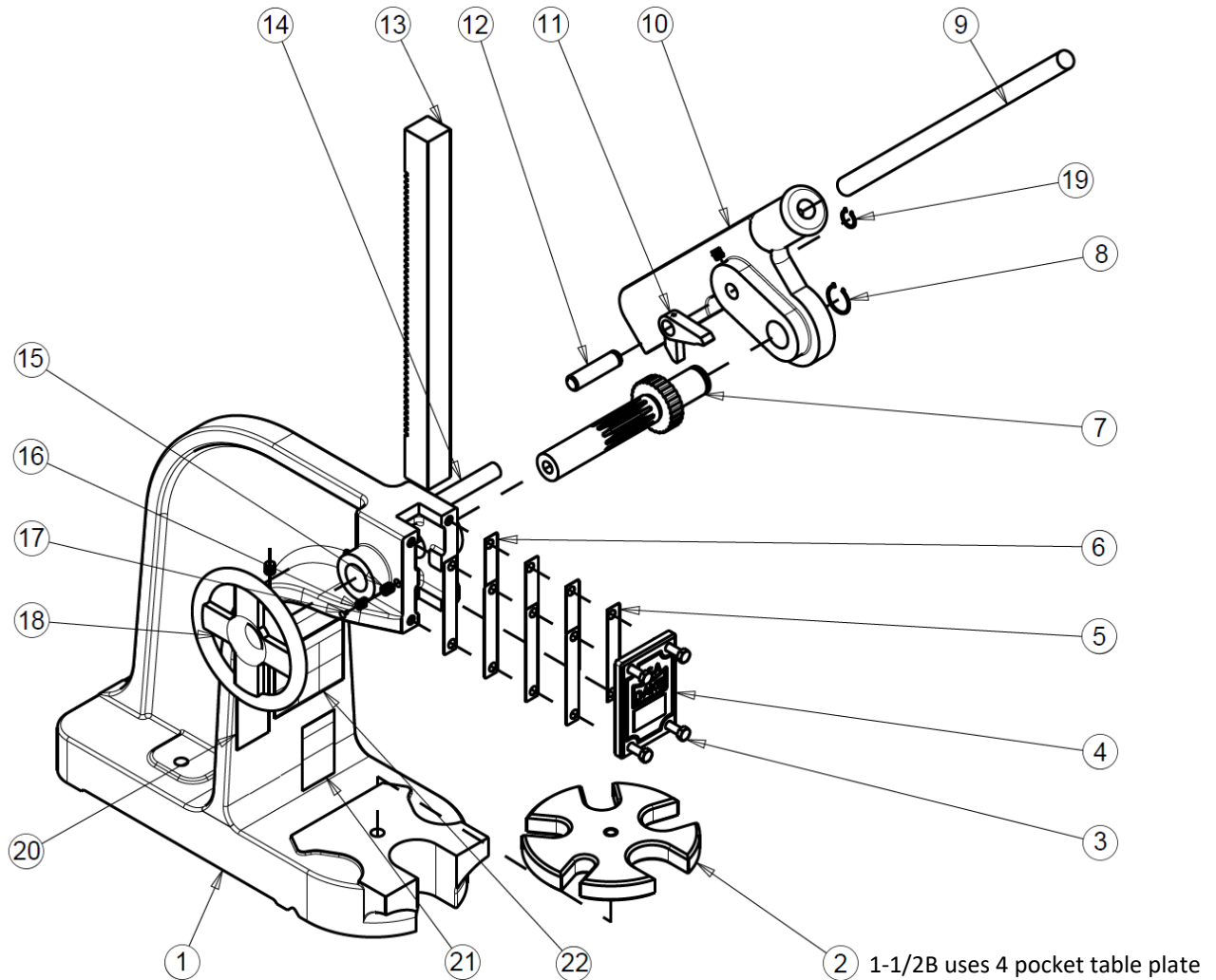


# EXPLODED VIEW & PARTS LIST

## EXPLODED PARTS VIEW



MODEL 1-3/4 ONLY:  
Item 22 – Machine Bolt  
Item 23 – Socket Cap Screw



## **MODEL 1-1/2 PARTS LIST**

<b><u>Item</u></b>	<b><u>Part Name</u></b>	<b><u>Part Number</u></b>	<b><u>Qty</u></b>
1	Frame	172	1
2	Table Plate Assembly	700807	1
3	Screw (5/16"-18 x 1")	43315	4
4	Ram Cap	142	1
5	Ram Cap Shim (.015")	146	6
6	Ram Cap Shim (.008")	145	2
7	Spindle	180	1
8	Retaining Ring	67424	1
9	Handle	179	1
10	Lever Weight	176	1
11	Pawl	177	1
12	Pawl Pin	175	1
13	Ram	147	1
13SS	Stainless Steel Ram	147SS	1
14	Rest Pin	174	1
15	3/8"-16 x 3/8" Headless Set Screw	43586	4
16	Brake Spring	108	1
17	Tinners Rivet	43577	1
18	Handwheel	167	1
19	Retaining Ring	30577	1
20	Warning Label – Pinch Point	87130	1
21	Warning Label - Tipping	79979	1
22	Warning Label – Ganged	300168	1
N/A	Optional Speed Handle	87182	1

***Please contact factory for current prices.***

## **ORDERING INFORMATION**

Parts are available for direct purchase from Dake or through a distributor. When placing a parts order, you will need to provide the part number, name of part, and model number. All parts shipped F.O.B. Factory in Grand Haven, MI.



**MODEL 1-1/2B PARTS LIST**

<u>Item</u>	<u>Part Name</u>	<u>Part Number</u>	<u>Qty</u>
1	Frame	184	1
2	Table Plate Assembly	700941	1
3	Screw (3/8"-16 x 1")	43328	6
4	Ram Cap	188	1
5	Ram Cap Shim (.010")	435	2
6	Ram Cap Shim (.015")	434	2
7	Spindle	180	1
8	Retaining Ring	67424	1
9	Handle	179	1
10	Lever Weight	176	1
11	Pawl	177	1
12	Pawl Pin	175	1
13	Ram	191	1
14	Rest Pin	174	1
15	Headless Set Screw (3/8"-16 x 3/8")	43586	4
16	Brake Spring	108	1
17	Tinners Rivet	43577	1
18	Handwheel	167	1
19	Retaining Ring	30577	1
20	Warning Label – Pinch Point	87130	1
21	Warning Label - Tipping	79979	1
22	Warning Label – Ganged	300168	1
N/A	Optional Speed Handle	87182	

***Please contact factory for current prices.***

**ORDERING INFORMATION**

Parts are available for direct purchase from Dake or through a distributor. When placing a parts order, you will need to provide the part number, name of part, and model number. All parts shipped F.O.B. Factory in Grand Haven, MI.



## **MODEL 1-3/4 PARTS LIST**

<b><u>Item</u></b>	<b><u>Part Name</u></b>	<b><u>Part Number</u></b>	<b><u>Qty</u></b>
1	Frame	173	1
2	Table Plate Assembly	700807	1
3	Screw (5/16"-18 x 1")	43315	4
4	Ram Cap	142	1
5	Ram Cap Shim (.015")	146	2
6	Ram Cap Shim (.008")	145	2
7	Spindle	180	1
8	Retaining Ring	67424	1
9	Handle	179	1
10	Lever Weight	176	1
11	Pawl	177	1
12	Pawl Pin	175	1
13	Ram	147	1
13SS	Stainless Steel Ram	147SS	1
14	Rest Pin	174	1
15	3/8"-16 x 3/8" Headless Set Screw	43586	4
16	Brake Spring	108	1
17	Tinners Rivet	43577	1
18	Handwheel	167	1
19	Retaining Ring	30577	1
20	Warning Label – Pinch Point	87130	1
21	Warning Label - Tipping	79979	1
22	Warning Label – Ganged	300168	1
23	3/8"-16 x 1-3/4" Screw	43332	4
24	1/4"-20 x 1-1/4" Socket Cap Screw	43416	1
N/A	Optional Speed Handle	87182	1

***Please contact factory for current prices.***

## **ORDERING INFORMATION**

Parts are available for direct purchase from Dake or through a distributor. When placing a parts order, you will need to provide the part number, name of part, and model number. All parts shipped F.O.B. Factory in Grand Haven, MI.