

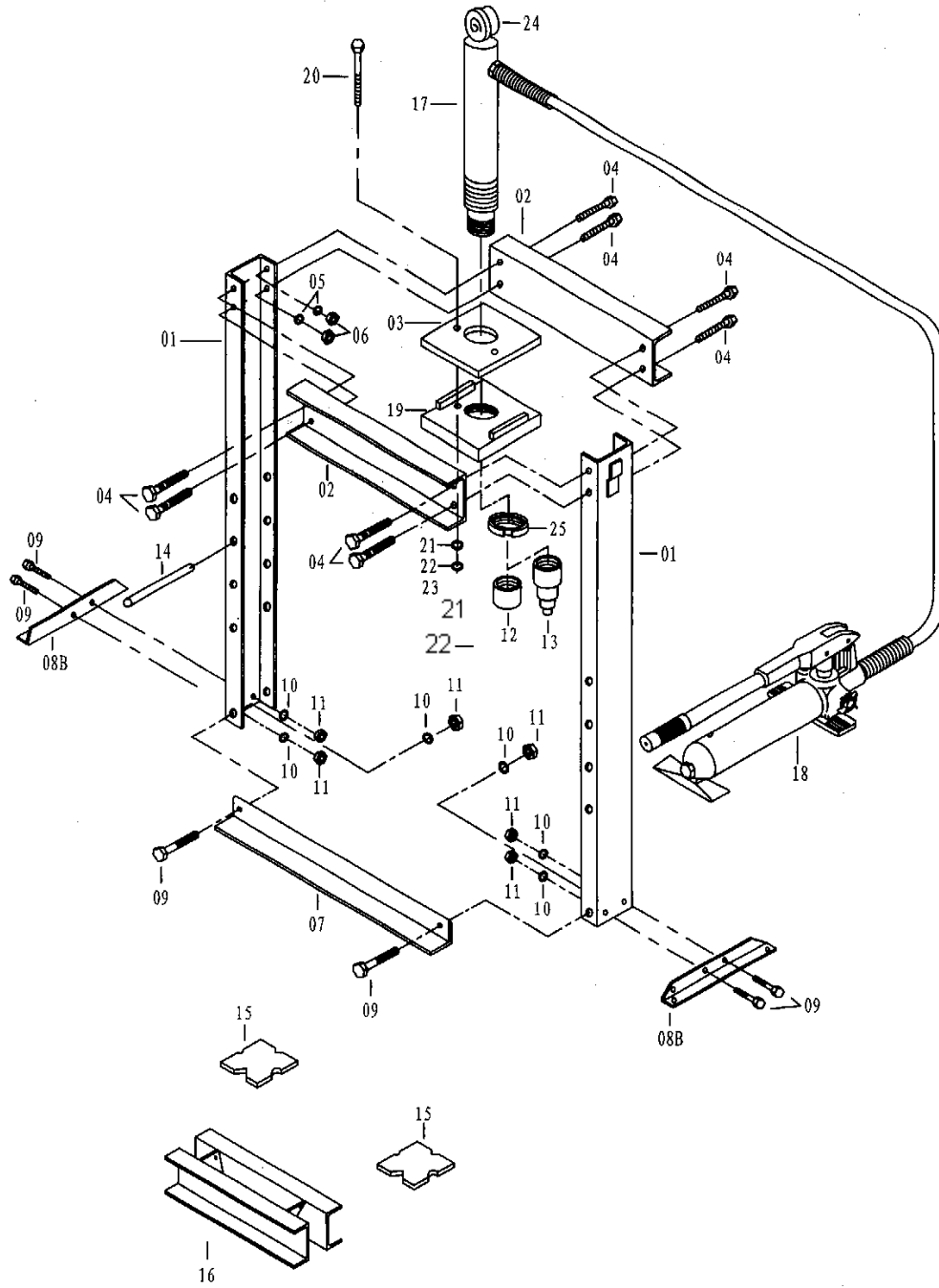
8. PARTS LIST

10 TON BENCH UTILITY PRESS PARTS LIST

Ref #	Dake Part #	Description	Qty.
1	301139	Frame upright channel	2
2	301138	Head frame channel	2
3 / 19	301137 / 301133	Head ram traverse plates	1 upper & lower
4	301136	Bolt M12 x 110mm	6
5	301135	Lock washer 12mm	6
6	301134	Nut M12 x 4	6
7	301132	Union support	1
8	301131	Base angle	2
9	301130	Bolt M8 x 20	6
10	301129	Lock washer 8mm	6
11	301128	Nut M8	6
12	301127	Flat nose piece	1
13	301126	Step nose piece	1
14	301125	Table pin	2
15	301124	Table plate	2
16	301123	Work table	1
17	301122	Ram / Cylinder	1
17A	302382	Cylinder spring	1
18	301121	Pumping unit	1
20	301150	Bolt M10 x 140	2
21	302277	Washer 10mm	2
22	301149	Lock washer 10mm	2
23	301141	Nut 10mm	2
24	301120	Gauge	1
25	302276	Ring	1
Items not shown			
	302318	Cylinder Seal kit	
	302382	Spring for cylinder	
	302310	Fitting Nipple	
	302309	Fitting Coupler	
	302554	Pump repair kit	
	302508	Hydraulic hose w/Coupling	

Spare seals should be stored in safe location out of direct sunlight.

10 TON BENCH UTILITY PRESS



10 TON FLOOR UTILITY PRESS PARTS LIST

Ref #	Dake Part #	Description	Qty.
1	301154	Frame upright channel	2
2	301153	Head frame channel	2
3 / 4	301152 / 301151	Head ram traverse plates	1 upper & lower
5	301150	Bolt M10 x 120mm	2
6	301149	Lock washer 10mm	2
7	301148	Union Support	1
8	301147	Base angle	2
9	301146	Bolt M8 x 25	12
10	301129	Lock washer 8mm	12
11	301128	Nut M8	12
12	301145	Angle support strap	4
13	301144	Pump support bracket	1
14	301143	Bolt M10 x 25	5
15	301142	Lock washer 10mm	4
16	301141	Nut M10	4
17	301123	Work table	1
18	301124	Table plate	2
19	301127	Flat nose piece (1-5/8 – 12)	1
20	301126	Step nose piece (1-5/8 – 12)	1
21	301140	Ram / Cylinder	1
21A	302383	Cylinder spring	1
22	301121	Pumping unit	1
23	301125	Table pin	2
24	301136	Bolt M12 x 110mm	4
25	301135	Lock washer 12mm	4
26	301134	Nut M12	4
27	302274	Bolt M8 x 25	4
28	301120	Gauge	1
29	302275	Ring	1
Items not shown			
	302318	Seal kit	
	302383	Cylinder spring	
	302310	Fitting Nipple	
	302309	Fitting Coupler	
	302554	Pump repair kit	
	302508	Hydraulic hose w/Coupling	

Spare seals should be stored in safe location out of direct sunlight.

When ordering parts have model and date of purchase information ready.

For assistance call Dake Customer Service at 1-800-937-3253 or fax to 1-800-846-3253
e-mail to customerservice@dakecorp.com

10 TON FLOOR UTILITY PRESS

