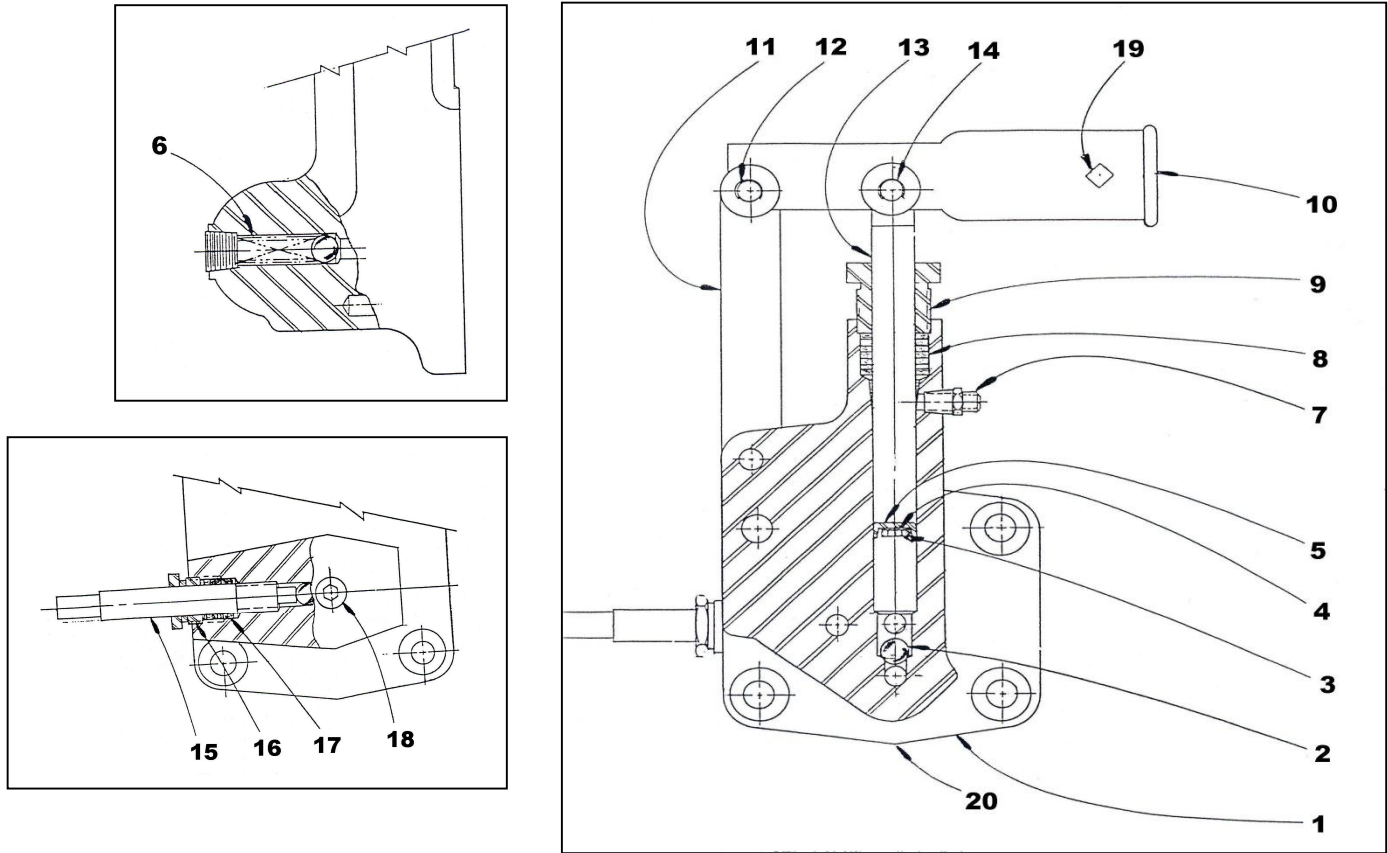
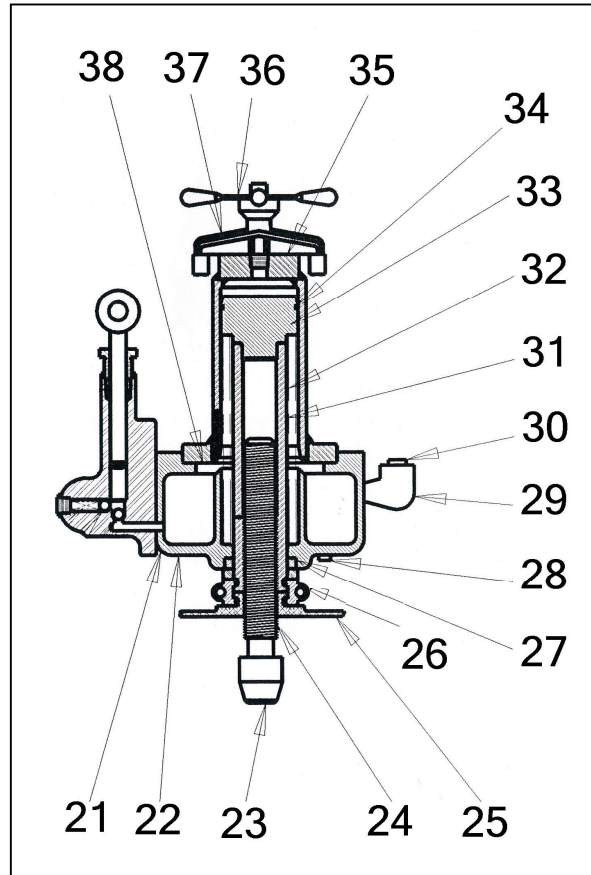


## HANDPUMP ASSEMBLY



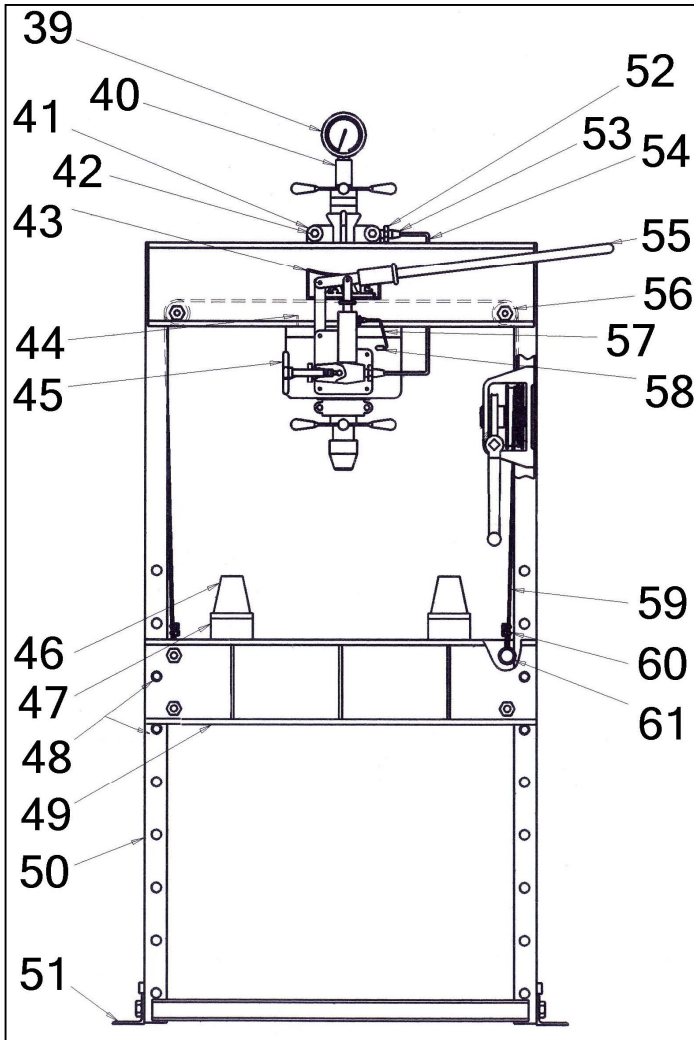
Item	Qty	Description	Part No.
1	1	Pump Body	546
2	3	Ball valve 1/2" Dia.	586
3	1	1/4"-20 x 1/2" Nylock Hex Cap Screw	28297
4	1	Washer #12 Flat	43629
5	1	Pump Plunger Leather	599
6	1	Check Valve Spring	579
7	1	Fitting, Tube, Poly-Tite	71413
8	7	Pump Packing	573
9	1	Pump Packing Nut	551
10	1	Handle Socket	550
11	1	Handle Socket Link	555
12	6	3/8" Retaining Rings	43972
13	1	Pump Plunger	554
14	3	Handle Socket Pin	594
15	1	Valve Rod	1129
16	1	Valve Rod Packing Nut	576
17	8	Valve Rod Packing	987
18	1	3/8" Pipe Plug	588
19	1	3/8"-16 x 5/8" Set Screw	43589
20	1	Pump Gasket	591
<b>Hand Pump Assembly Complete</b>			<b>700887</b>
<b>Repair Kit – Cylinder &amp; Hand Pump Assembly (Includes – Items 5,8,17,20,26B,27,34,38)</b>			<b>701291</b>

## WORKHEAD ASSEMBLY



Item	Qty	Description	Part No.
21	1	Pump Gasket	591
22	1	Reservoir	540
23	1	Screw Nose – Flat (Thumb Screw if needed 43618)	572
		Screw Nose – V-ram nose (Thumb Screw if needed 43618)	344
24	1	Screw	559
25	1	Handwheel	716519
26A	1	Clamp Ring Assembly	717
26B	1	Piston Bumper	605
27	1	Oil Seal	1267
28	1	Pipe Plug, 1/8" NPTF	589
29	1	Elbow, Pipe Street 1/2"	590
30	1	Pipe Plug, 1/2" NPTF	596
31	1	Spring, Ram	556
32 & 33	1	Piston Assembly (Serial No. < 192522)	701801
		Piston Assembly (Serial No. > 192523)	716222
34	1	Piston Leather (Serial No. < 192522)	557
		Packing Ring (Serial No. > 192523)	17878
35	1	Cylinder – 50 Ton	536
36	1	Handwheel	716521
37	1	Yoke	593
38	1	Gasket, Cylinder	1268
<b>Repair Kit – Cylinder &amp; Hand Pump Assembly (Includes – Items 5,8,17,20,26B,27,34,38)</b>			<b>701291</b>

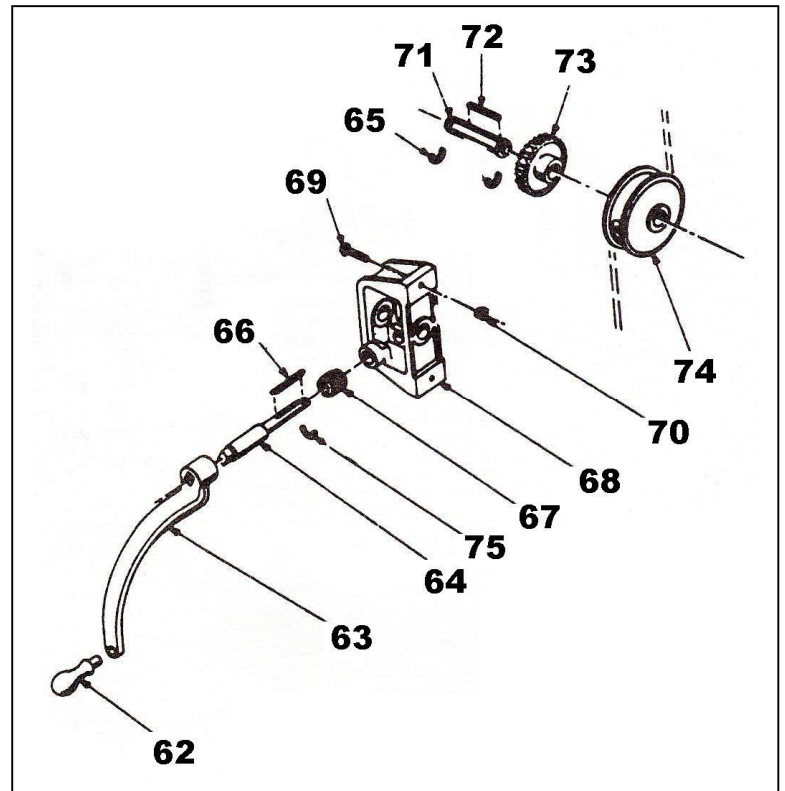
## FRAME ASSEMBLY



Item	Qty	Description	Part No.
39	1	Gauge	71266
	1	Bushing	81384
40	1	Gauge Extension	731
41	4	Roller	592
42	4	Roller Screw	595
43	1	Dake Name Plate	81002
44	1	Air Vent Tube	632
45	1	Handwheel	10631
46	2	V-Block	336
47	2	Table Plate	545
48	4	Table Pins	569
48A	4	Safety pin	302816
49	2	Table Channel	701091
50	1	Frame only	700116
51	2	Base Angle	566
52	2	3/8 NPT 37° Fitting	1251
53	2	Fitting Nut	46614
	2	Fitting Sleeve	51454
54	1	Tube Assembly (53 & 54)	700117
55	1	Handle	218
56	2	Pulley	602
	2	Pulley Bolt	43342
	2	Pulley Nut	43912
57	1	Vent Tube	67761
58	2	Fitting, Tube, Poly-Tite	71413
59	1	Cable	580
60	4	Cable Clamps	991
61	4	Table Spacer	716692

# TABLE HOIST

Item	Qty	Description	Part No.
62	1	Hand Crank Assembly	701653
63	1	Worm Shaft	384
64	1	Retaining Ring	27437
65	2	Worm Key	47364
66	1	Worm	385
67	1	Hoist Frame	725
68	1	Hex Cap Screw	43335
69	2	Hex Nut	43912
70	1	Drum Shaft	724
71	1	Drum Key	737
72	1	Worm Gear	736
73	1	Cable Drum	723
74	1	Retaining Ring	43992
<b>Complete Table Hoist Assembly</b>			<b>700112</b>



## ORDERING INFORMATION

Please order all parts by number and name. Also mention model number and serial number as shown on the plate attached to the frame of the press. Prices for parts do not include shipping charges.



724 Robbins Road  
 Grand Haven, MI 49417  
 Phone: 616-842-7110 800-937-3253  
 Fax: 616-842-0859 800-846-3253  
 Web: [www.dakecorp.com](http://www.dakecorp.com)  
 E-mail: [customerservice@dakecorp.com](mailto:customerservice@dakecorp.com)  
[technicalservice@dakecorp.com](mailto:technicalservice@dakecorp.com)