

Parts list

See Frame parts list
Page 12

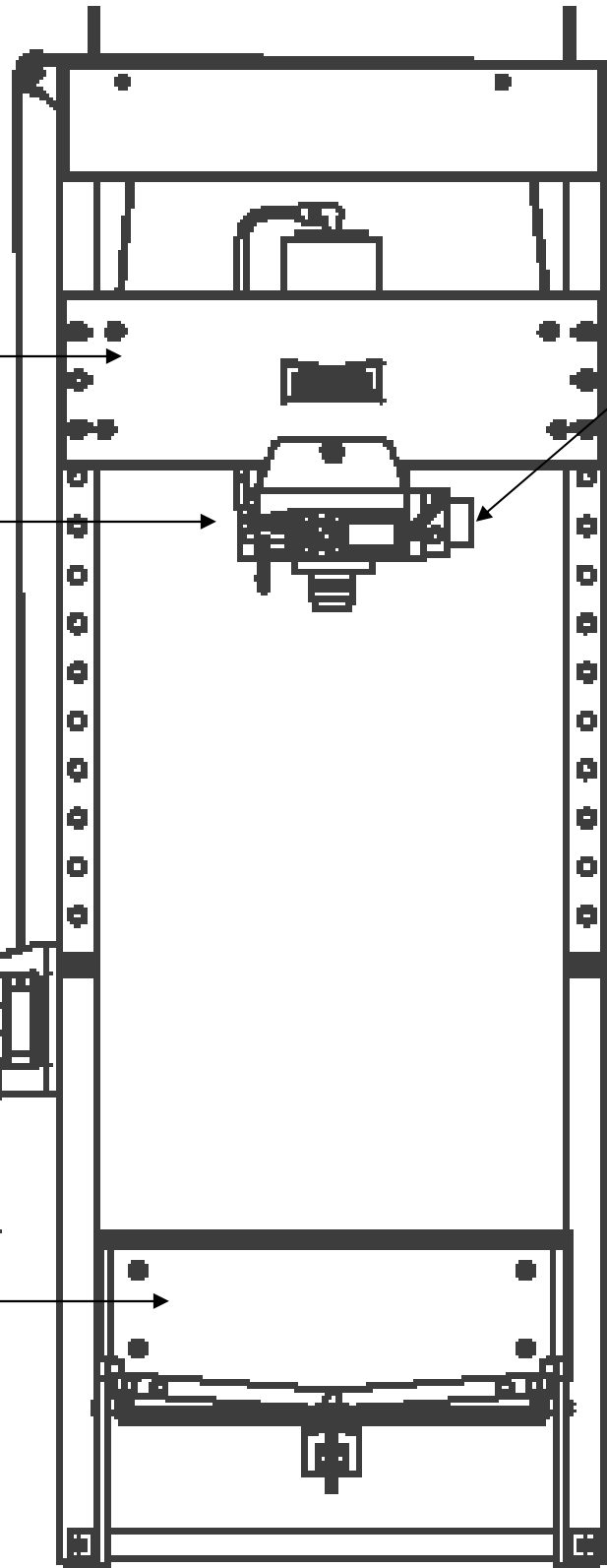
See hydraulic pump
exploded view
Page 14

See work head
exploded view
Page 7

See electrical parts
list Page 18

See hoist parts list
Page 11

See Frame parts list
Page 12



Work head exploded view

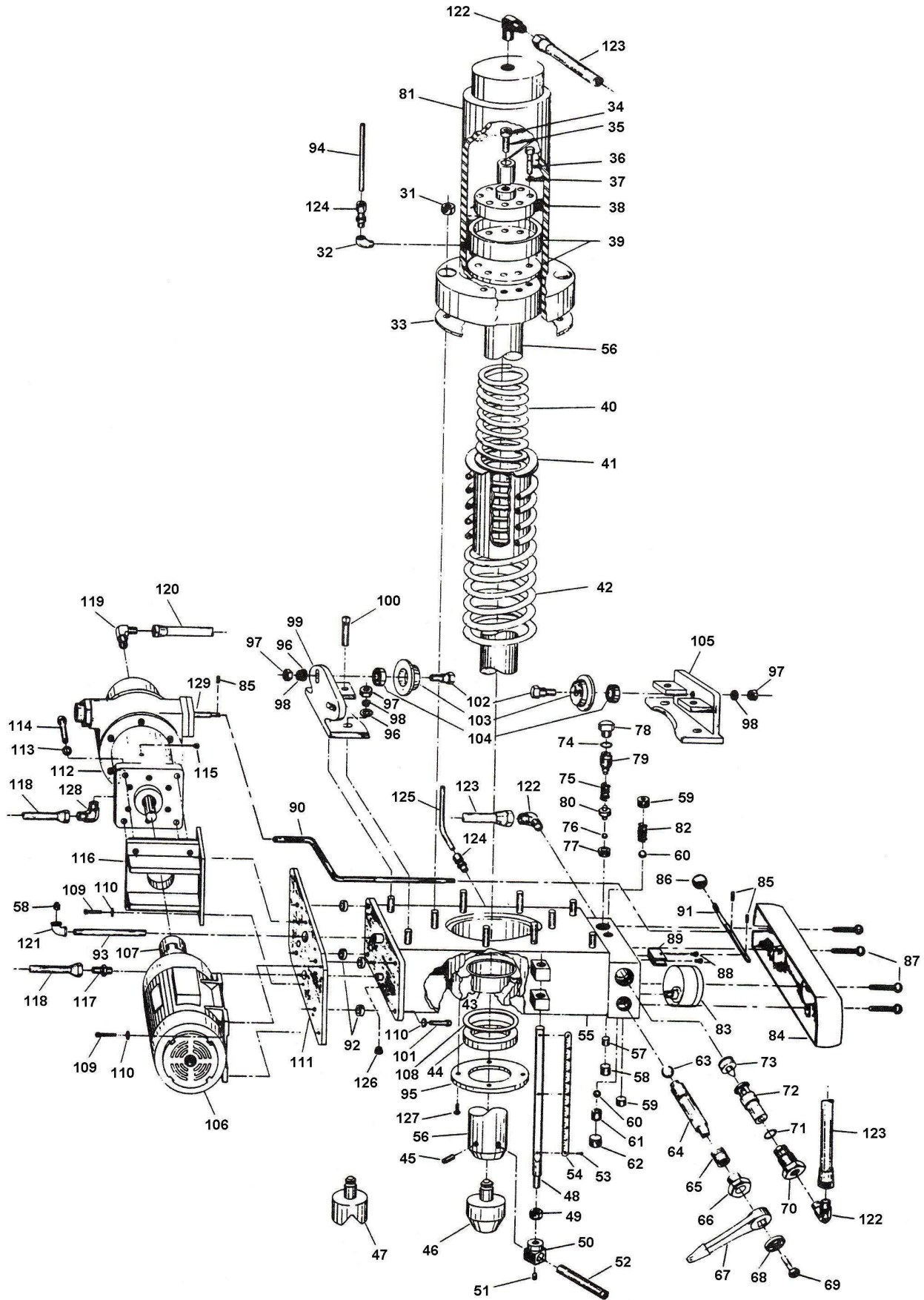
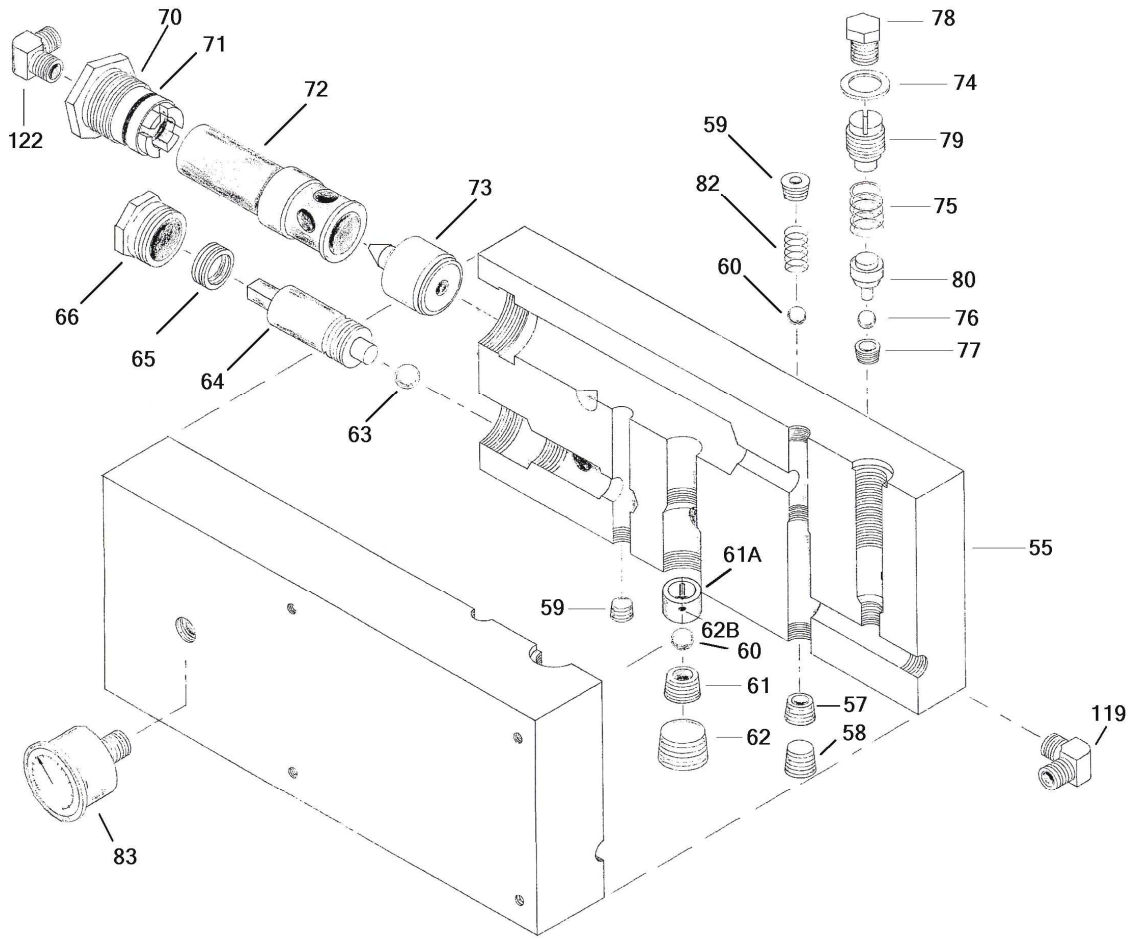


FIGURE 2

Eductor block exploded view



Item	Part Name	Model 5-025	Model 5-050	Model 5-075	Model 5-150	Qty
31	½" hex nuts	43916	43916	43916	43916	4-6
32	¼ x 1/8 NPT elbow	19576	19576	19576	19576	1
33	Cylinder Gasket	9777	9777	9777	9778	1
34	½"-13 x 1-½" SHCS Serial No < 192522	-	43471	43471	-	8
35	Piston Bumper Serial No < 192522	-	2221	2221	-	1
36	Hex head cap screw Serial No < 192522	43305	43330	43332	43332	8
37	Lockwasher Serial No < 192522	43643	43645	43645	43645	8
38	Supporting ring Serial No < 192522	967	4110	2222	1536	1
39	Leather Cup Serial No < 192522	969	557	706	1538	1
	T-ring seal Serial No > 192523	17976	17878	17942	37052	1
40	Ram spring (Small)	5722	4107	2231	4196	1
41	Spring spacer	5725	4108	2233	4201	1
42	Ram spring (Large)	5721	4106	2232	4195	1
43	Piston bushing Serial No < 192522	5731	4111	2229	1158	1
	Wear Ring Serial No > 192523	76805	76806	76807	37045	1
44	Oil seal	6019	6020	6021	1477	1
45	5/16" set screw	43575	43575	43575	43575	1
46	Nose piece assembly with shank	701706	701707	701708	701709	1
47	"V" nose piece assembly with shank	701710	701711	701712	701713	1
48	Stroke indicator rod	2260	2260	2260	4264	1
49	½"-13 hex jam nut	43940	43940	43940	43940	1
50	Special nut	2259	2259	2259	2259	1
51	¼"-20 x ¼" Set Screw	43558	43558	43558	43558	1
52	Support stud	2258	2258	2258	4266	1
53	No. 2 x 3/16" Drive Screw (new style glued on)	43573	43573	43573	43573	3
54	Scale	2261	2261	2261	4265	1
55	Reservoir assembly	715270	705601	705923	715273	1
56	Piston assembly Serial No. < 192522	701401	701402	701403	701404	1
	Piston assembly Serial No. > 192523	716225	716226	716227	716228	1
57	Check valve seat	1300	1300	1300	1300	1
58	½" N.P.T.F. socket head pipe plug	596	596	596	596	1
59	3/8" N.P.T.F. socket head pipe plug	588	588	588	588	2
60	½" ball valve	586	586	586	586	2
61	Intake valve seat	1301	1301	1301	1301	1
61A	Valve guide	10752	10752	10752	10752	1
61B	Spring pin	44333	44333	44333	44333	1
62	1" N.P.T.F. socket head pipe plug	44282	44282	44282	44282	1
63	Ball valve ¾" dia.	1936	1936	1936	1936	1
64	Release valve rod	2257	2257	2257	2257	1
65	Valve rod packing	1937	1937	1937	1937	8
66	Packing nut	1931	1931	1931	1931	1
67	Valve handle	2230A	2230A	2230A	2230A	1
68	Handle washer	348	348	348	348	1
69	3/8"-16 x ½" hex cap screw	43324	43324	43324	43324	1
70	Eductor bushing	1288	1288	1288	1288	1
71a	O-ring	916	916	916	916	1
71b	Back-up washer	11223	11223	11223	11223	1
72	Eductor body	2241	2241	2241	2241	1
73	Eductor nozzle	1287	1287	1287	1287	1
74	O-ring	3965	3965	3965	3965	1

Item	Part Name	Model 5-025	Model 5-050	Model 5-075	Model 5-150	Qty
75	Relief valve spring	893	893	893	893	1
76	Ball valve ¼" dia.	918	918	918	918	1
77	Relief valve seat	891	891	891	891	1
78	Valve cap nut	2236	2236	2236	2236	1
79	Relief valve adjusting screw	2237	2237	2237	2237	1
80	Ball retainer	892	892	892	892	1
81	Cylinder	5726	4101	2213	4197	1
82	Check valve spring	579	579	579	579	1
83	Gauge	71270	71271	71272	71273	1
84A	Control panel - Old Style 3-1/2" hole	27618	27618	27618	27618	1
	Control panel - New Style 4" hole	80744	80744	80744	80744	1
84B	Label for panel	27620	27620	27620	27620	1
85	Spring pins 1/8" dia. x 9/16"	28524	28524	28524	28524	3
86	Control handle ball	27879	27879	27879	27879	1
87	No. 10-24 x 3" Flat head slotted screw	300248	300248	300248	300248	4
88	No. 10-24 x 3/8" soc. head cap screw.	43396	43396	43396	43396	2
89	Control handle mounting bracket	27622	27622	27622	27622	1
90	Control rod	27621	27621	27621	27669	1
91	Control handle	27433	27433	27433	27433	1
92	Neoprene washer	2248	2248	2248	2248	4
93	¾" pipe nipple x 8"	44205	44205	44205	44205	1
94	Vent tube	6038	6038	6038	6038	1
95	Retaining plate	7359	6513	6514	6474	1
96	5/8" flat washers	49927	49927	49927	49927	7
97	5/8"-11 hex nut	43917	43917	43917	43917	7
98	5/8" lockwasher	43648	43648	43648	43648	7
99	Rear roller bracket	9472	9472	9472	4204	1
100	¾"-10 x 3" Soc set screw	43616	43616	43616	43616	3
101	3/8"-16 x 1" hex cap screw	43328	43328	43328	43328	4
102	Roller screw	1297A	1297A	1297A	1297A	3
103	Flanged roller	2244	2244	2244	2244	3
104	Bearing	6023	6023	6023	6023	3
105	Front roller bracket	9473	9473	9473	4205	1
106	Motor – 2 HP, 220/440 volt 3-phase	29744	29744	29744	29744	1
106A	Bolts, motor mounting (5/16-18 x ½")	43313	43313	43313	43313	4
107A	Coupling (with Spider)	28498	28498	28498	28498	1
107B	Spider only	301337	301337	301337	301337	1
108	Gasket	6516	6517	6518	6519	1
109	3/8"-16x1" hex cap screw	43328	43328	43328	43328	8
110	3/8" lockwasher	43645	43645	43645	43645	8
111	Pump and motor base	25915	25915	25915	27668	1
112	Pump	950101	950101	950101	950101	1
113	½" lockwasher	43647	43647	43647	43647	4
114	½"-12x1-½" hex head cap screw	43469	43469	43469	43469	4
115	1/8" Allen pipe plug	589	589	589	589	1
116	Pump support	25916	25916	25916	25916	1
116A	Bolts, pump support (5/16-18 x ¾")	43314	43314	43314	43314	4
117	Tube fitting	1251	1251	1251	1251	1
118	Tube assembly	705921	705921	705921	705921	1
119	Tube elbow	1252	1252	1252	1252	2
120	Tube assembly	701160	701160	701160	701161	1

Item	Part Name	Model 5-025	Model 5-050	Model 5-075	Model 5-150	Qty
121	¾"-90 degree pipe elbow	44110	44110	44110	44110	1
122	Tube elbow	1944	1944	1944	1944	2
123	Tube assembly	701162	701163	701164	701165	1
124	Tube fitting	597	597	597	597	1
125	Tube	6038	6038	6038	6038	1
126	¼" Allen pipe plug	1567	1567	1567	1567	1
127	#10-24x ½" Rd Head Machine Screw	43881	43881	43881	43881	6
128	Tube elbow	17999	17999	17999	17999	1
129	3/8" Wiper seal – on 50-101 pump	26573	26573	26573	26573	1

Cylinder Repair Kit (Includes items 33, 39, 44, 60, 63, 65, 71A, 71B, 74, 76 & 108)	706553	706554	706555	706556	
Complete Workhead assembly Specify Voltage (Includes all items in figure 2)	905026	905051	905076	905151	

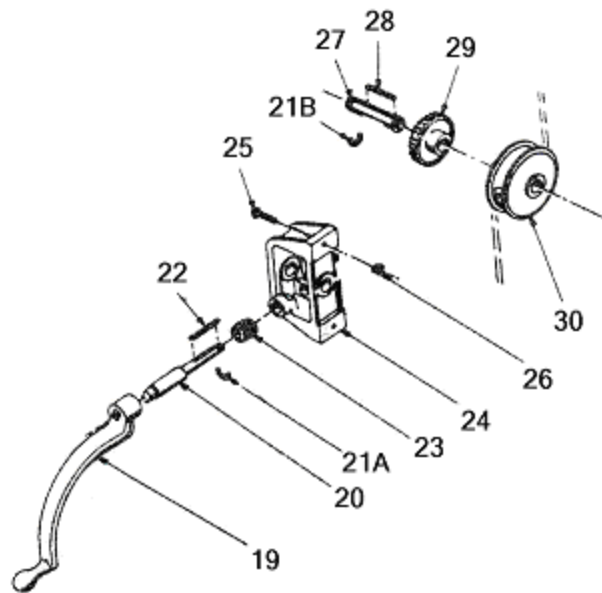


Figure 1

Item	Part Name	Model 25 ton	Model 50 ton	Model 75 ton	Model 150 ton	Qty
N/A	Cable	45954	45954	726	726	17
N/A	Cable clamp	583	583	991	991	4
19	Hand crank assembly	701653	701653	701653	701653	1
20	Worm shaft	742	742	1598	1598	1
21A	Retaining ring	43982	43982	43992	43992	2
21B	Retaining ring	43983	43983	43983	43983	2
22	Worm key	746	746	1602	1602	1
23	Worm	744	744	1600	1600	1
24	Hoist frame	739	739	1595	1595	1
25	Hex cap screw	43335	43335	43335	43335	3
26	Hex nut	43912	43912	43912	43912	4
27	Drum shaft	741	741	1597	1597	1
28	Drum key	745	745	1601	1601	1
29	Worm gear	743	743	1599	1599	1
30	Cable drum	740	740	1596	1596	1
N/A	Ratchet handle assembly	-	-	75582	75582	1
Complete Table Hoist Assembly (Items 20, 21A, 21B, 22, 23, 24, 27, 28, 29,30)		700111-S	700111-S	700104-S	700104-S	1

Table and frame part numbers
No picture available

	Part Name	Model 5-025	Model 5-050	Model 5-075	Model 5-150	Qty
1	Pulley, Cable	1639	-	-	-	1
1	Pulley, Cable	-	1639	-	-	6
1	Pulley, Cable	-	-	1639	1639	4
2	Shaft, Cable Pulley	1641	1641	1641	1641	1
3	Block Stop 3/4x2x3-1/2"	1819	1819	1819	1819	8
4	Pin, Table	2256	2256	-	-	4
4	Pin, Table	-	-	2256	-	6
4	Pin, Table	-	-	-	1555	6
5	Shaft, Cable Pulley	2698	2698	1640	29510	2
6	Screw, Hex Cap 1/2 - 13 x 1-1/4"	43348	43348	43348	43348	8
7	Screw, Hex Cap 1/2-13x 3-1/4	43356	-	43356	-	8
7	Screw, Hex Cap 1/2-13x1-3/4 H300	43350	-	-	-	2
8	Screw, 3/4x10-1 1/2 SHCS	43371	43371			12
9	Screw, Soc Cap 5/16 – 18 x 3/4"	43433	43433	43433	43433	8
10	Screw, Soc Cap 3/8 – 16 x 1"	43449	43449			8
11	Screw, Soc Cap 3/8 – 16 1-3/4"	43452	43452	43452		2
12	Screw, Soc Set 1/2 -13 x 3/4 cup pt.	43600	43600	43600		12
33	Lock Washer 3/8"	43645	-	-	-	10
33	Lock Washer 1/2"	-	43647	-	-	16
33	Lock Washer 1/2"	-	-	43650	-	12
33	Lock Washer 1"	-	-	-	43647	24
13	Lock Washer 1/2"	43647	43647	43647		16
14	Screw, Soc cap 1/2-13x3/4"	43648	43648	43648		20
15	Lock Washer, 3/4 H300	43649	43649	43649	-	12
15	Lock Washer 3/4" H300	-	-	-	43649	16
16	Nut, Hex 1/2-13 (Heavy)	43916	43916	43916	43916	8
17	Nut, Hex 5/8-11 (Heavy)	43917	43917	43917		20
17	Nut, Hex 3/4-10 H300	-	-	-	43919	16
18	Nut, Hex Jam, 7/8-14	43947	43947	43917	43947	4
19	Ring, Retaining	43982	43982	43982	43982	6
20	Cable	45954	45954			24
20	Cable	-	-	45933	-	26
20	Cable	-	-	-	45933	42
21	Clamp, Cable	583	583	1607	1607	4
22	Bearing, Camrol	60900	60900	60900	-	4
22		-	-	-	-	4
22		-	-	-	-	4
23	Clamp, Toggle	60901	60901	60901		2
24	Block, Lifting	60903	60903	60903		2
25	Bracket, Clamp	63381	63381	60809		2
26	Lever, Rolling Table	63382	63382	9928		4
27	Channel, Rolling Table	63383	63383	-	-	2
27	Channel, Rolling Table	-	-	60811	-	2
27	Channel, Rolling Table	-	-	-	-	2
28	Support, Rolling Table RH	63384	63384	60813	-	1
28		-	-	-	-	1

28		-	-	-		1
29	Support, L.H. Rolling	63385	63385	60980	-	1
30	Frame	65542	63386		-	1
31	Decal	67881	67881	67881	-	1
32	Grease Fitting	44657	44657	44357		4
33	Stop Bar, 1/4x2x6	64696	64696	-	-	1
34	Screw, Drive	70277	-	70277		6
34	Screw, Drive	-	70277	-		2
35	Table Spacer	86486	86486	-	-	4
35		-	-	86488	-	8
35		-	-	-		
36	Table Plate				1534	2