

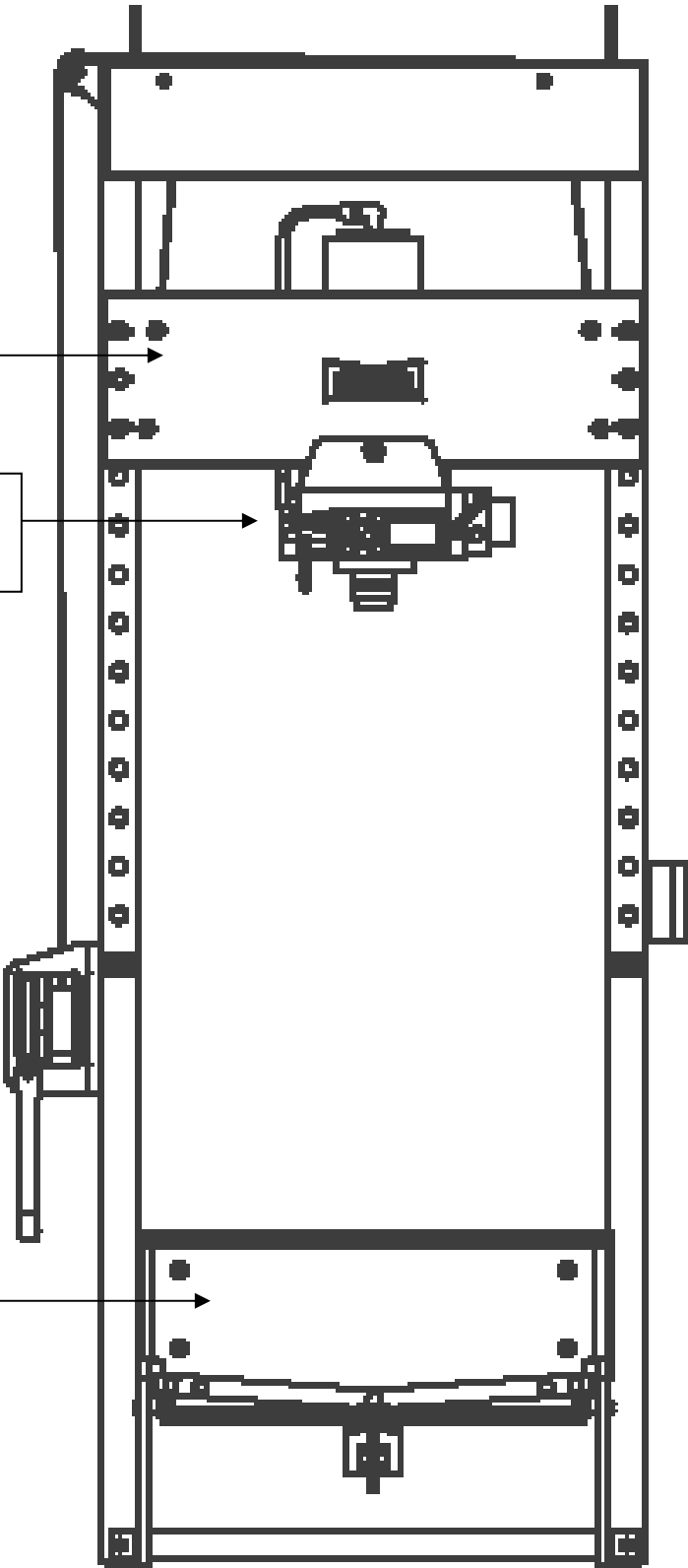
# Parts list

See Frame parts list  
Page 13

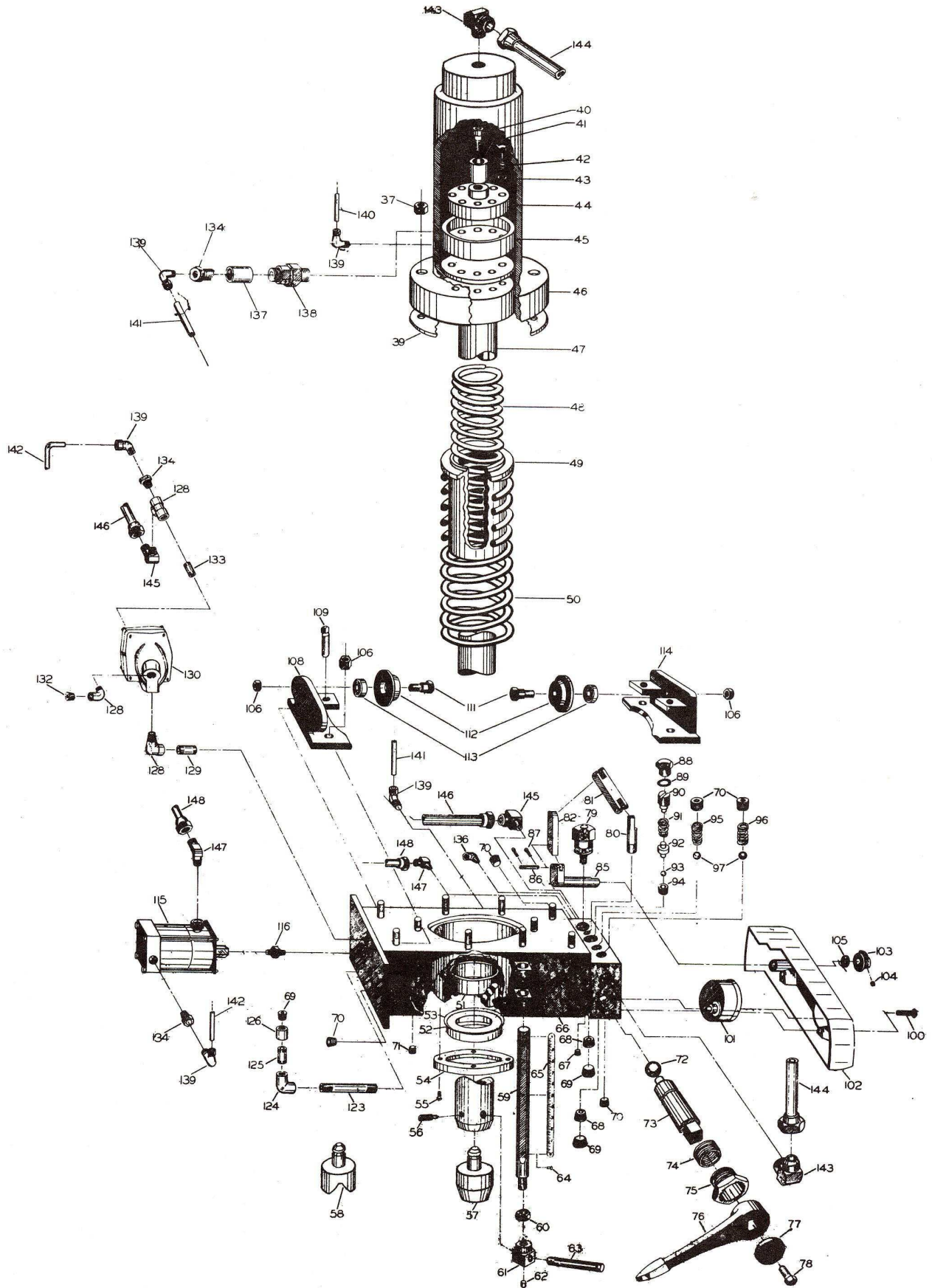
See work head  
exploded view  
Page 7

See hoist parts list  
Page 12

See Frame parts list  
Page 13

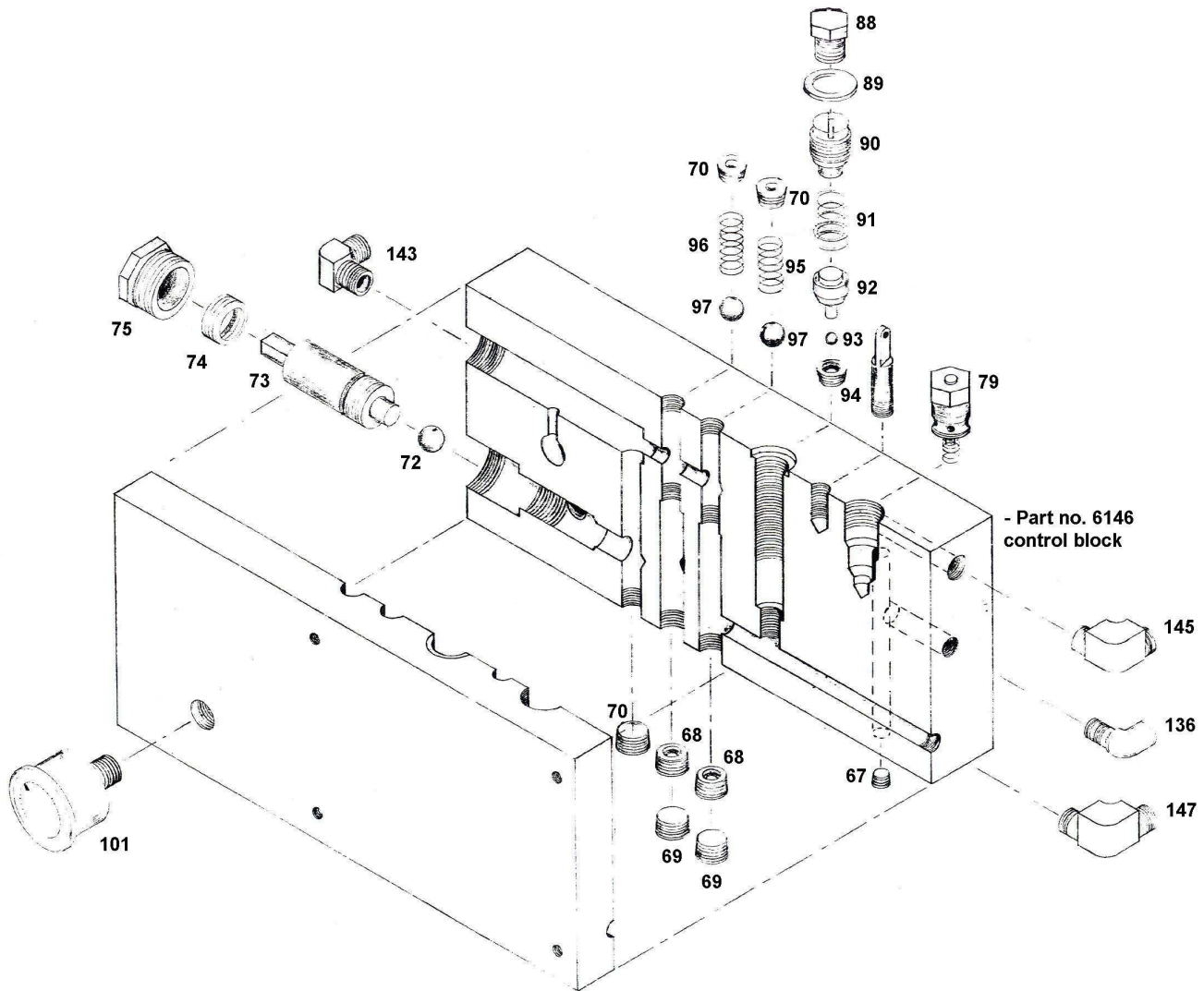


**Work head exploded view**



**FIGURE 2**

# Eductor block exploded view



Item	Part Name	Model	Model	Model	Model	Qty
		6-225 6-425	6-250 6-450	6-275 6-475	6-650 6-850	
37	1/2" Hex Nut	43916	43916	43916	43916	6
39	Cylinder Gasket	9776	9777	9777	9778	1
40	1/2"-13 x 1-1/2" Soc. Hd. Cap Screw (Serial No. < 192522)	--	43471	43471	--	1
41	Piston Bumper (Serial No. < 192522)	--	2221	2221	--	1
42	1/4"-20x1" HHCS (Serial No. < 192522)	43305	--	--	--	4
	3/8"-16x1-1/4" HHCS (Serial No. < 192522)	--	43330	--	--	6
	3/8"-16x1-3/4" HHCS (Serial No. < 192522)	--	--	43332	43332	8
43	1/4" Lockwasher (Serial No. < 192522)	43643	--	--	--	4
	3/8" Lockwasher (Serial No. < 192522)	--	43645	43645	43645	6-8
44	Supporting Ring (Serial No. < 192522)	967	4110	2222	1536	1
45	Leather Cup (Serial No. < 192522)	969	557	706	1538	1
	T-ring Seal (Serial No. > 192523)	17976	17878	17942	37052	1
46	Cylinder	7361	4101	2213	4197	1
47	Piston Assembly (Serial No. < 192522)	701401	701402	701403	701404	1
	Piston Assembly (Serial No. > 192523)	716225	716226	716227	716228	1
48	Ram Spring (Small)	5722	4107	2231	4196	1
49	Spring Spacer	5725	4108	2233	4201	1
50	Ram Spring (Large)	5721	4106	2232	4195	1
51	Piston Bushing (Serial No. < 192522)	5731	4111	2229	1158	1
	Wear Ring (Serial No. > 192522)	76806	76806	76807	37045	
52	Oil Seal	6019	6020	6021	1477	1
53	Oil Seal Gasket	6516	6517	6518	6519	1
54	Retaining Plate	7359	6513	6514	6474	1
55	No. 10-24 x 1/2" Rd. Hd. Screw	43881	43881	43881	43881	4-6
56	5/16" Set Screw	43575	43575	43575	43575	1
57	Nose Piece Assembly	701706	701707	701708	701709	1
58	V-Nose Assembly	701710	701711	701712	701713	1
59	Stroke Indicator Rod	2260	2260	2260	4264	1
60	1/2"-13 Hex Jam Nut	43940	43940	43940	43940	1
61	Special Nut	2259	2259	2259	2259	1
62	1/4"-20 x 1/4" Soc. Hd. Set Screw	43558	43558	43558	43558	1
63	Support Stud	2258	2258	2258	4266	1
64	No. 2 x 3/16" Drive Screw	43616	43616	43616	43616	3
65	Scale	2261	2261	2261	4265	1
66	Reservoir Assembly	715266	716784	716784	715269	1
67	1/8" N.P.T.F. Soc. Hd. Pipe Plug	589	589	589	589	2
68	Check Valve Seat	1300	1300	1300	1300	2
69	1/2" N.P.T.F. Soc Hd. Pipe Plug	596	596	596	596	3
70	3/8" N.P.T.F. Soc Hd. Pipe Plug	588	588	588	588	5
71	1/4" N.P.T.F. Soc. Hd. Pipe Plug	1567	1567	1567	1567	1
72	Ball Valve 3/4" Dia.	1936	1936	1936	1936	1
73	Release Valve Rod	2257	2257	2257	2257	1
74	Valve Rod Packing	1937	1937	1937	1937	7
75	Packing Nut	1931	1931	1931	1931	1
76	Valve Handle	2230A	2230A	2230A	2230A	1
77	Handle Washer	348	348	348	348	1
78	3/8"-16 x 3/4" Hex Cap Screw	43326	43326	43326	43326	1
79	Plunger Unit	6151	6151	6151	6151	1
80	Pivot Pin	6152	6152	6152	6152	1

Item	Part Name	Model	Model	Model	Model	Qty
		6-225 6-425	6-250 6-450	6-275 6-475	6-650 6-850	
81	Air Control Arm	6153	6153	6153	6153	1
82	Air Control Link	6154	6154	6154	6154	1
85	Air Control Shaft	6156	6156	6156	6156	1
86	Pin	5772	5772	5772	5772	3
87	1/16" x 1/2" Cotter Pin	44049	44049	44049	44049	6
88	Valve Cap Nut	2236	2236	2236	2236	1
89	O-ring	3965	3965	3965	3965	1
90	Relief Valve Adj, Screw	2237	2237	2237	2237	1
91	Relief Valve Spring	893	893	893	893	1
92	Ball Retainer	892	892	892	892	1
93	Ball Valve 1/4" Dia.	918	918	918	918	1
94	Relief Valve Seat	891	891	891	891	1
95	Check Valve Spring	579	579	579	579	1
96	Check Valve Spring	890	890	890	890	1
97	Ball Valve 1/2" Dia.	586	586	586	586	2
100	No. 10-24 x 2-3/4" Machine Screw	300248	300248	300248	300248	4
101	Gauge	71270	71271	71272	71273	1
102	Control Pannel	80743	80743	80743	80743	1
103	Control Knob	2250A	2250A	2250A	2250A	1
104	1/4"-20 x 1/2" Soc. Hd. Set Screw	43562	43562	43562	43562	1
105	1/2" Washer	43634	43634	43634	43634	1
106	5/8"-11 Hex Nut	43917	43917	43917	43917	7
108	Rear Roller Bracket	9472	9472	9472	4204	1
109	3/4"-10 x 3" Set Screw	43616	43616	43616	43616	3
112	Flanged Roller	2244	2244	2244	2244	3
113	Bearing	6023	6023	6023	6023	3
114	Front Roller Bracket	9473	9473	9473	4205	1
115	Pump – Haskel Air	63453	63453	63453	63453	1
116	3/8" Pipe Nipple	58226	58226	58226	58226	1
123	3/4" x 4" Pipe Nipple	1818	1818	1818	1818	1
124	3/4" 90° Pipe Elbow	44110	44110	44110	44110	1
125	3/4" x 2" Pipe Nipple	1739	1739	1739	1739	1
126	3/4" Pipe Coupling	1744	1744	1744	1744	1
128	3/8" Street Elbow	1264	1264	1264	1264	2
129	3/8" Pipe Nipple	58226	58226	58226	58226	1
130	Quick Exhaust	1911	1911	1911	1911	1
132	Restrictor	7368	7368	7368	7368	1
133	3/8" Pipe Nipple	58226	58226	58226	58226	1
134	1/4" - 1/8" Bushing	1100	1100	1100	1102	3
136	1/4" 90° Street Elbow	1110	1110	1110	1110	1
137	1/4" Pipe Coupling	1330	1330	1330	1330	1
138	Check Valve	1841	1841	1841	1841	1
139	Tube Fitting	19576	19576	19576	19576	5
140	Air Vent	632	632	632	632	1
141	Tube	7680	7681	7682	7683	1
142	Tube	7684	7684	7684	7685	1
143	Tube Elbow	1944	1944	1944	1944	2
144	Tube Assembly	701719	701720	701721	701722	1
145	Tube Elbow	1252	1252	1252	1252	2
146	Tube Assembly	701723	701723	701723	701724	1

Item	Part Name	Model 6-225 6-425	Model 6-250 6-450	Model 6-275 6-475	Model 6-650 6-850	Qty
147	Tube Elbow	1248	1248	1248	1248	2
148	Tube Assembly	701725	701725	701725	701726	1
<b>Cylinder Repair Kit (Items: 39, 45, 52, 53, 72, 74, 89, 93, 97)</b>	<b>713053</b>	<b>713054</b>	<b>713055</b>	<b>713056</b>	<b>1</b>	
<b>Haskel Pump Repair Kit</b>	<b>713034</b>	<b>713034</b>	<b>713034</b>	<b>713034</b>	<b>1-2</b>	

**ADDED PARTS USED WITH DOUBLE PUMP PRESSES NOT ILLUSTRATED**

115	Pump	63453	63453	63453	63453	1
139	Tube Fitting	597	597	597	597	5
149	Tube Tee	1249	1249	1249	1249	1
150	Tube Tee	7693	7693	7693	7693	1
151	Tube Assembly	701727	701727	701727	701728	1
152	Straight Fitting	1251	1251	1251	1251	1
153	Tube Assembly	701729	701729	701729	701729	1
154	Straight Fitting	1247	1247	1247	1247	1
155	Tube Assembly	701730	701730	701730	701731	1

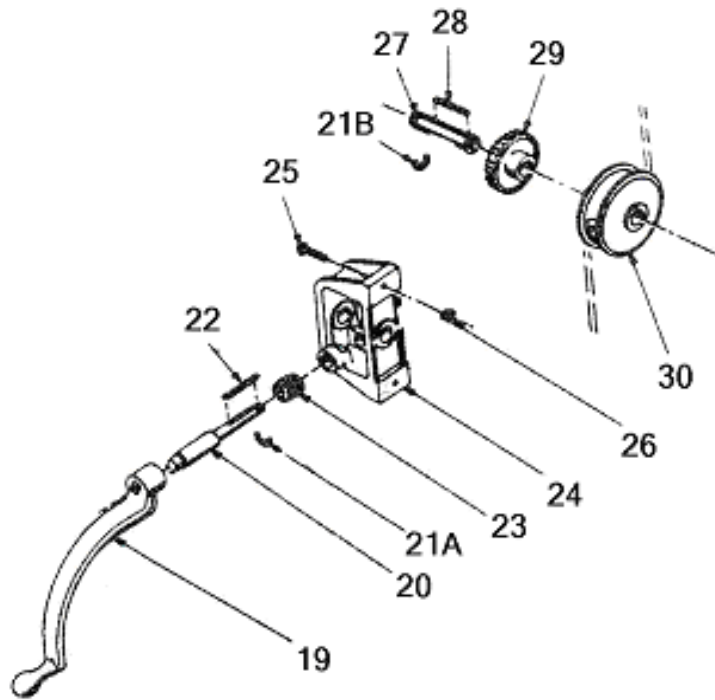


Figure 1

Item	Part Name	Model 25 ton	Model 50 ton	Model 75 ton	Model 150 ton	Qty
N/A	Cable	45954	45954	726	726	17
N/A	Cable clamp	583	583	991	991	4
19	Hand crank assembly	701653	701653	701653	701653	1
20	Worm shaft	742	742	1598	1598	1
21A	Retaining ring	43982	43982	43992	43992	2
21B	Retaining ring	43983	43983	43983	43983	2
22	Worm key	746	746	1602	1602	1
23	Worm	744	744	1600	1600	1
24	Hoist frame	739	739	1595	1595	1
25	Hex cap screw	43335	43335	43335	43335	3
26	Hex nut	43912	43912	43912	43912	4
27	Drum shaft	741	741	1597	1597	1
28	Drum key	745	745	1601	1601	1
29	Worm gear	743	743	1599	1599	1
30	Cable drum	740	740	1596	1596	1
N/A	Ratchet handle assembly	-	-	75582	75582	1
<b>Complete Table Hoist Assembly</b> (Items 20, 21A, 21B, 22, 23, 24, 27, 28, 29,30)		<b>700111-S</b>	<b>700111-S</b>	<b>700104-S</b>	<b>700104-S</b>	<b>1</b>

**Table and frame part numbers  
No picture available**

	<b>Part Name</b>	<b>Model 5-025</b>	<b>Model 5-050</b>	<b>Model 5-075</b>	<b>Model 5-150</b>	<b>Qty</b>
1	Pulley, Cable	1639	-	-	-	1
1	Pulley, Cable	-	1639	-	-	6
1	Pulley, Cable	-	-	1639	1639	4
2	Shaft, Cable Pulley	1641	1641	1641	1641	1
3	Block Stop 3/4x2x3-1/2"	1819	1819	1819	1819	8
4	Pin, Table	2256	2256	-	-	4
4	Pin, Table	-	-	2256	-	6
4	Pin, Table	-	-	-	1555	6
5	Shaft, Cable Pulley	2698	2698	1640	29510	2
6	Screw, Hex Cap 1/2 - 13 x 1-1/4"	43348	43348	43348	43348	8
7	Screw, Hex Cap 1/2-13x 3-1/4	43356	-	43356	-	8
7	Screw, Hex Cap 1/2-13x1-3/4 H300	43350	-	-	-	2
8	Screw, 3/4x10-1 1/2 SHCS	43371	43371			12
9	Screw, Soc Cap 5/16 – 18 x 3/4"	43433	43433	43433	43433	8
10	Screw, Soc Cap 3/8 – 16 x 1"	43449	43449			8
11	Screw, Soc Cap 3/8 – 16 1-3/4"	43452	43452	43452		2
12	Screw, Soc Set 1/2 -13 x 3/4 cup pt.	43600	43600	43600		12
33	Lock Washer 3/8"	43645	-	-	-	10
33	Lock Washer 1/2"	-	43647	-	-	16
33	Lock Washer 1/2"	-	-	43650	-	12
33	Lock Washer 1"	-	-	-	43647	24
13	Lock Washer 1/2"	43647	43647	43647		16
14	Screw, Soc cap 1/2-13x3/4"	43648	43648	43648		20
15	Lock Washer, 3/4 H300	43649	43649	43649	-	12
15	Lock Washer 3/4" H300	-	-	-	43649	16
16	Nut, Hex 1/2-13 (Heavy)	43916	43916	43916	43916	8
17	Nut, Hex 5/8-11 (Heavy)	43917	43917	43917		20
17	Nut, Hex 3/4-10 H300	-	-	-	43919	16
18	Nut, Hex Jam, 7/8-14	43947	43947	43917	43947	4
19	Ring, Retaining	43982	43982	43982	43982	6
20	Cable	45954	45954			24
20	Cable	-	-	45933	-	26
20	Cable	-	-	-	45933	42
21	Clamp, Cable	583	583	1607	1607	4
22	Bearing, Camrol	60900	60900	60900	-	4
22		-	-	-	-	4
22		-	-	-	-	4
23	Clamp, Toggle	60901	60901	60901		2
24	Block, Lifting	60903	60903	60903		2
25	Bracket, Clamp	63381	63381	60809		2
26	Lever, Rolling Table	63382	63382	9928		4
27	Channel, Rolling Table	63383	63383	-	-	2
27	Channel, Rolling Table	-	-	60811	-	2
27	Channel, Rolling Table	-	-	-	-	2
28	Support, Rolling Table RH	63384	63384	60813	-	1
28		-	-	-	-	1



28		-	-	-		1
29	Support, L.H. Rolling	63385	63385	60980	-	1
30	Frame	65542	63386		-	1
31	Decal	67881	67881	67881	-	1
32	Grease Fitting	44657	44657	44357		4
33	Stop Bar, 1/4x2x6	64696	64696	-	-	1
34	Screw, Drive	70277	-	70277		6
34	Screw, Drive	-	70277	-		2
35	Table Spacer	86486	86486	-	-	4
35		-	-	86488	-	8
35		-	-	-		
36	Table Plate				1534	2