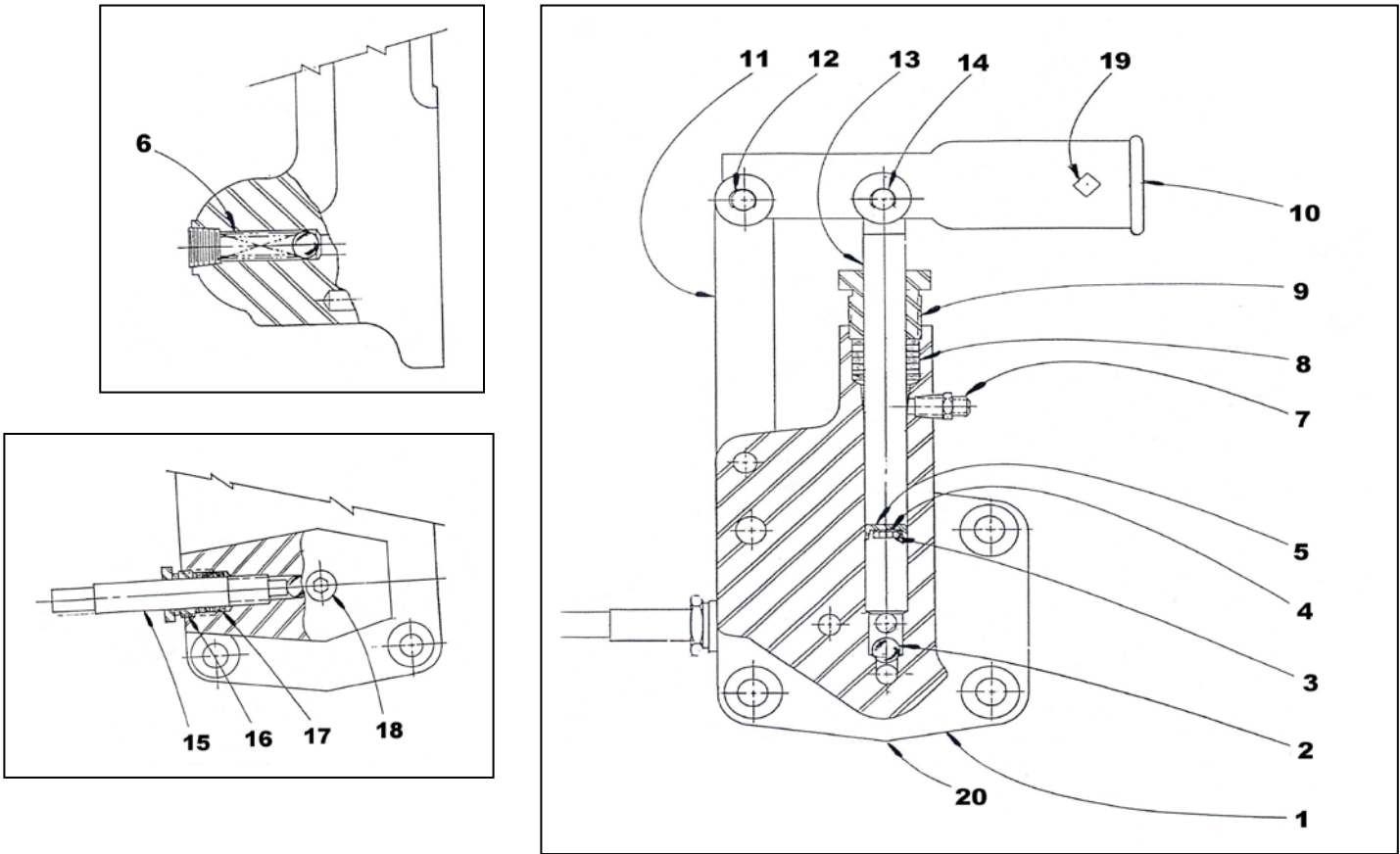
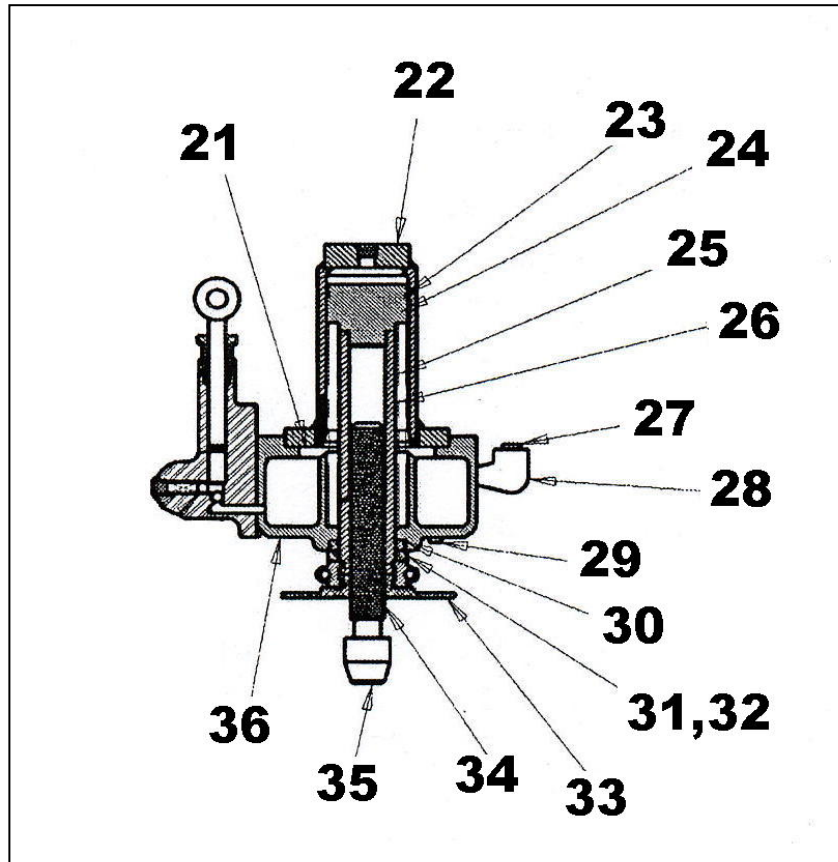


# HANDPUMP ASSEMBLY



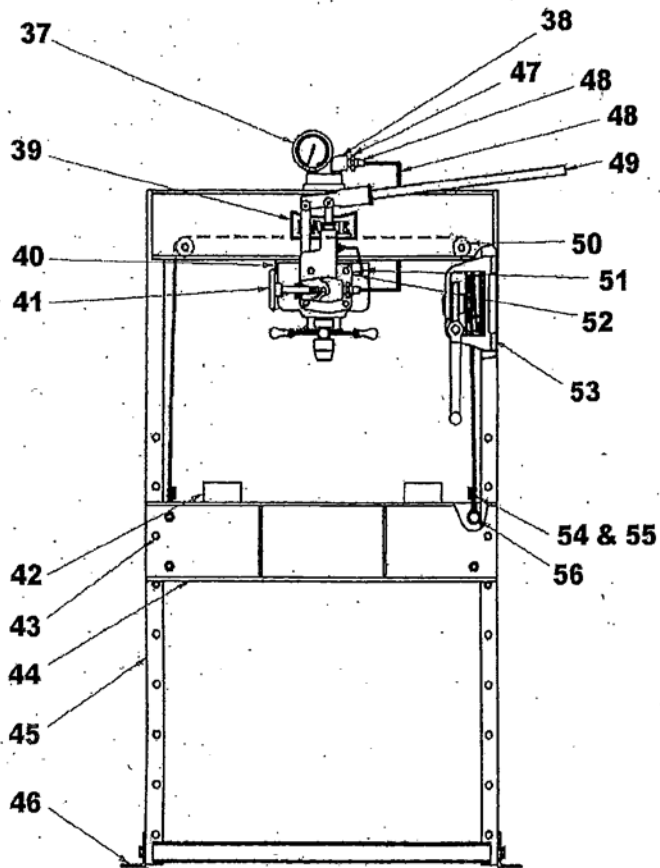
Item	Qty	Description	Part No.
1	1	Pump Body	546
2	3	Ball valve 1/2" Dia.	586
3	1	1/4"-20 x 1/2" Nylock Hex Cap Screw	28297
4	1	Washer #12 Flat	43629
5	1	Pump Plunger Leather	599
6	1	Check Valve Spring	579
7	1	Fitting, Tube, Poly-Tite	71413
8	7	Pump Packing	573
9	1	Pump Packing Nut	551
10	1	Handle Socket	550
11	1	Handle Socket Link	555
12	6	3/8" Retaining Rings	43972
13	1	Pump Plunger	554
14	3	Handle Socket Pin	594
15	1	Valve Rod	1129
16	1	Valve Rod Packing Nut	576
17	8	Valve Rod Packing	987
18	1	3/8" Pipe Plug	588
19	1	3/8"-16 x 5/8" Set Screw	43589
20	1	Pump Gasket	591
<b>Hand Pump Assembly Complete</b>			<b>700887</b>
<b>Repair Kit – Cylinder &amp; Hand Pump Assembly (Includes items – 5,8,17,20,21,23,30,31)</b>			<b>701290</b>

## WORKHEAD ASSEMBLY



Item	Qty	Description	Part No.
21	1	Cylinder Gasket	998
22	1	Cylinder	960
23	1	Packing Ring (Serial No. > 192522)	17976
	1	Piston Leather (Serial No. < 192523) (Used with supporting ring no. 967)	969
24 & 25	1	Piston Assembly (Serial No. < 192522)	701800
	1	Piston Assembly (Serial No. > 192523)	716221
26	1	Ram Spring	968
27	1	1/2" Pipe Plug	596
28	1	1/2" Street Elbow	590
29	1	1/8" Pipe Plug	589
30	1	Oil Seal	999
31	1	Piston Bumper	996
32	2	Clamp Ring	982M
33	1	Screw Adjusting Wheel	716518
34	1	Screw	971
35	1	Screw Nose *Thumb screw if needed 43618	986
36	1	Reservoir	963
<b>Repair Kit – Cylinder &amp; Hand Pump Assembly (Includes – Items 5,8,17,20,21,23,30,31)</b>			<b>701290</b>

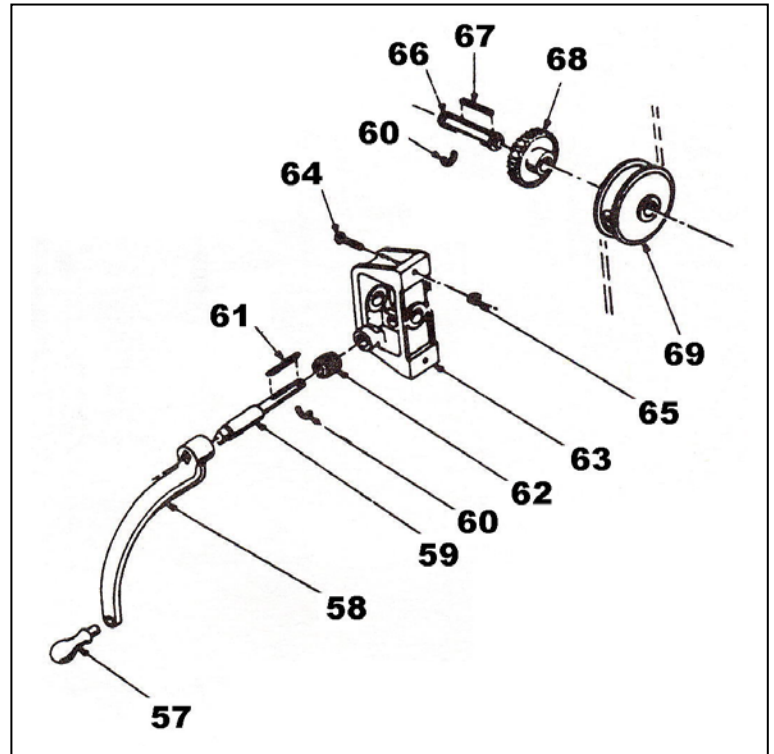
## FRAME ASSEMBLY



Item	Qty	Description	Part No.
37	1	Gauge	71265
	1	Bushing	81384
38	1	½" Tube Elbow	1252
39	1	Name Plate	81002
40	1	Air Vent Tube	632
41	1	Hand Wheel	10631
42	2	Table Plates	966
43	4	Table Pins	981
43A	4	Safety Pins	302816
44	2	Table Channel	701020
45	1	Frame	700134
46	2	Base Angles	978
47	2	Tube Fittings	1251
48	1	Tube Assembly	700133
49	1	Handle	218
50	2	Pulley	602
	2	Pulley bolt	43341
	2	Pulley lock washer	43645
	2	Pulley nut	43912
51	9"	Tube, ¼" Plastic	67761
52	2	Fitting, Tube, Poly-Tite	71413
53	2	Spacer	997
54	1	Cable	988
55	4	Cable Clamps	991
56	4	Table Spacer Assembly one each of washer, bolt, spacer per part #	716691
N/A	4	Channel Washers	25H138P
N/A	4	Wkhd mounting bolts	43348

## TABLE HOIST

Item	Qty	Description	Part No.
57	1	Hand Crank Assembly	1000
58	1	Worm Shaft	384
59	2	Retaining Ring	27437
60	1	Worm Key	47364
61	1	Worm	385
62	1	Hoist Frame	725
63	1	Hex Cap Screw	43335
64	1	Hex Nut	43912
65	1	Drum Shaft	724
66	1	Drum Key	737
67	1	Worm Gear	736
68	1	Cable Drum	723
69	1	Retaining Ring	43992
<b>Complete Table Hoist Assembly</b>			<b>700112-S</b>



### ORDERING INFORMATION

Please order all parts by number and name. Also mention model number and serial number as shown on the plate attached to the frame of the press. Prices for parts do not include shipping charges.



724 Robbins Road  
 Grand Haven, MI 49417  
 Phone: 616-842-7110 800-937-3253  
 Fax: 616-842-0859 800-846-3253  
 Web: [www.dakecorp.com](http://www.dakecorp.com)  
 E-mail: [customerservice@dakecorp.com](mailto:customerservice@dakecorp.com)  
[technicalservice@dakecorp.com](mailto:technicalservice@dakecorp.com)