



# DAKE PORTABLE BANDSAW SE-5X8

INSTRUCTIONAL MANUAL



## WARNING!

Read and understand all instructions and responsibilities before operating. Failure to follow safety instructions and labels could result in serious injury.

Dake Corporation  
724 Robbins Road  
Grand Haven, MI 49417

Phone: 800.937.3253  
Fax: 800.846.3253

[www.dakecorp.com](http://www.dakecorp.com)  
[customerservice@dakecorp.com](mailto:customerservice@dakecorp.com)



## TABLE OF CONTENTS

DAKE STANDARD LIMITED WARRANTY.....	2
RETURN & REFUND POLICY .....	4
SPECIFICATIONS .....	5
INTRODUCTION AND USE .....	6
WARNING STICKERS – INDICATIONS .....	7
TYPE OF USE INTENDED .....	7
GENERAL SAFETY REGULATIONS.....	8
MAIN MACHINE COMPONENTS .....	10
INSTALLATION.....	11
ELECTRICAL CONNECTION .....	12
ADJUSTMENTS.....	12
ADJUSTING BLADE TENSION .....	12
CUTTING ANGLE-HEAD ROTATION ADJUSTMENT .....	13
ADJUSTING THE SLIDING BLADE GUIDE POSITION.....	13
BLADE SPEED ADJUSTMENT .....	13
POSITIONING OF THE WORKPIECE IN THE VISE .....	13
INSTALLATION AND ADJUSTMENT OF BANDSAW STOCK STOP.....	14
OPERATIONS.....	14
USE AS A MANUAL CUTTING SAW.....	14
MAINTENANCE - STORAGE - ASSISTANCE - DISPOSAL .....	15
REPLACING SAW BLADE.....	15
LUBRICATION / COOLANT .....	16
CLEANING.....	16
TROUBLESHOOTING .....	17
EXPLODED VIEWS & PART LIST .....	18
ORDERING INFORMATION.....	21
ELECTRICAL COMPONENTS.....	22



## DAKE STANDARD LIMITED WARRANTY

### *Finished Machines*

Dake warrants to the original purchaser the finished machine manufactured or distributed by it to be free from defects in material and workmanship under normal use and service within 1 year (12 months) from the delivery date to the end user.

### *Parts & Couplings*

Dake warrants to the original purchaser the component part or coupling manufactured or distributed by it to be free from defects in material and workmanship under normal use and service within 30 days from the delivery date to the end user.

The standard limited warranty includes the replacement of the defective component part or coupling, at no cost to the end user.

### **Warranty Process**

Subject to the conditions hereinafter set forth, the manufacturer will repair or replace any portion of the product that proves defective in materials or workmanship. The manufacturer retains the sole right and option, after inspection, to determine whether to repair or replace defective equipment, parts or components. The manufacturer will assume ownership of any defective parts replaced under this warranty.

All requested warranty claims must be communicated to the distributor or representative responsible for the sale. Once communication has been initiated, Dake Customer Service must be contacted for approval:

Phone: (800) 937-3253

Email: [customerservice@dakecorp.com](mailto:customerservice@dakecorp.com)

When contacting Dake, please have the following information readily available:

- Model #
- Serial #
- Sales Order #

Purchasers who notify Dake within the warranty period will be issued a Case number and/or a Return Material Authorization (RMA) number. If the item is to be returned per Dake's request, the RMA number must be clearly written on the exterior packaging. Any item shipped to Dake without an RMA will not be processed.



### **Warranty Exceptions:**

The following conditions are not applicable to the standard limited warranty:

- (a) Part installation or machine service was not completed by a certified professional, and is not in accordance with applicable local codes, ordinances and good trade practices.
- (b) Defects or malfunctions resulting from improper installation or failure to operate or maintain the unit in accordance with the printed instructions provided.
- (c) Defects or malfunctions resulting from abuse, accident, neglect or damage outside of prepaid freight terms.
- (d) Normal maintenance service or preventative maintenance, and the parts used in connection with such service.
- (e) Units and parts which have been altered or repaired, other than by the manufacturer or as specifically authorized by the manufacturer.
- (f) Alterations made to the machine that were not previously approved by the manufacturer, or that are used for purposes other than the original design of the machine.



## RETURN & REFUND POLICY

Thank you for purchasing from Dake! If you are not entirely satisfied with your purchase, we are here to help.

### Returns

All Dake manufactured / distributed machines, parts and couplings include a 30-day return option. These policies are valid from the date of final shipment to the end user.

To be eligible for a return, the item must be unused and in the same condition as received.

All requested warranty claims must be communicated to the distributor or representative responsible for the sale. Once communication has been initiated, Dake Customer Service must be contacted for approval:

Phone: (800) 937-3253

Email: [customerservice@dakecorp.com](mailto:customerservice@dakecorp.com)

Once the return request has been approved by Customer Service, a representative will supply a Return Material Authorization (RMA) number. The returned item must have the provided RMA number clearly marked on the outside packaging. Any item received without an RMA number clearly visible on the packaging will not be processed.

An RMA number can only be provided by the Dake Customer Service team and must be obtained prior to the return shipment.

### Refunds

Once the item has been received and inspected for damages, a representative will notify the requestor referencing the provided RMA number.

If the return is approved, a refund will be issued to the original method of payment, less a 20% restocking fee. The restocking fee may be waived if an order is placed at the time of return with like-value merchandise.

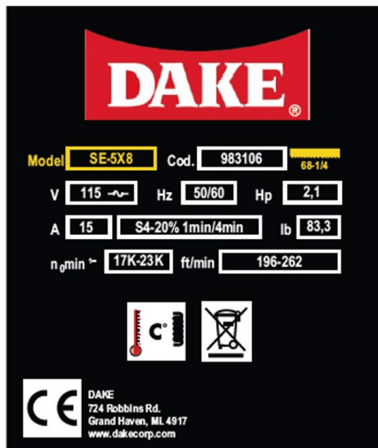
Transportation costs are the responsibility of the end user and will not be credited upon return approval.

Any item that is returned after the initial 30 days or has excessive/obvious use will not be considered for a full refund.

## SPECIFICATIONS

Machine Type	Portable mitering gravity fed horizontal bandsaw
Blade Size	68-1/4" x 1/2"
Blade Speed – Low Range	114 - 262 FPM
Horsepower	2.5 H.P. maximum
Weight	60 pounds
Overall Height	20 inches
Base Width	18 inches
Depth	39 inches
Round Capacity @ 0°	6 inches
Round Capacity @ 45°	4 inches
Square Capacity @ 0°	6 inches
Square Capacity @ 45°	4 inches
Rect. Capacity @ 0°	6 X 5 inches
Rect. Capacity @ 45°	4-3/4" X 4 inches

In the space provided record the serial number and model number of the machine. This information is only found on the black Dake tag shown below. If contacting Dake this information must be provided to assist in identifying the specific machine.



## INTRODUCTION AND USE

*The Use and Maintenance Manual is made up of two parts, this document and the additional parts and diagrams. Save this manual for future use.*

Keep the Use and Maintenance Manual in good condition: Remember, it is an integral part of the machine. Always refer to the manual to get best machine performance in maximum safety while performing the operations described therein.

It is recommended that this manual be kept in an easily accessible place, near the machine, at all times so that it can be consulted whenever necessary.



### **DANGER - WARNING**

**USE THE MACHINE SOLELY AND EXCLUSIVELY FOR THE USES INDICATED AND IN ACCORDANCE WITH THE RECOMMENDATIONS PROVIDED IN THIS MANUAL.**

**NEVER TAMPER WITH IT, FORCE IT OR USE IT IN ANY INAPPROPRIATE MANNER.**

## HOW TO CONSULT THIS MANUAL AND THE SYMBOLS USED

Please pay particular attention to the words “WARNING”, “DANGER”, and “CAUTION” as used in this manual.

To draw the user’s attention to certain information and provide warning messages, the operations described in this manual are accompanied by symbols and notes to highlight the presence of any hazards and indicate the safe use of the equipment.



**DANGER - WARNING: IMPORTANT INFORMATION CONCERNING GENERAL SAFETY.**



**DANGER-CAUTION: highlights situations where careful and sensible actions are essential.**

*NOTES: information of a technical nature.*

## WARNING STICKERS – INDICATIONS

The stickers affixed to the machine are indicated below.

Serial number / year of manufacture



Basic logo / CE marking / indication of motor characteristics and data.



**WARNING:** This product contains Nickel, a chemical known to the State of California to cause cancer. For more information go to [www.P65Warnings.ca.gov](http://www.P65Warnings.ca.gov)

Indication of direction of rotation:



Wear PPE:



## TYPE OF USE INTENDED

The machine has been designed and built for cold cutting metal materials. For this operation, the workpiece is held in place by a vise and the cutting head is controlled by the operator who stands in front of the machine during use.

## RECOMMENDED USE

The machine can be used to work on:

- METAL OR SIMILAR MATERIALS
- DRY CUTTING ONLY

## PROHIBITED USE

It is prohibited to:

- OPERATE ON NON-METALS, ORGANIC MATERIALS AND/OR FOOD STUFFS,
- OPERATE ON MATERIALS WHICH MAY RELEASE TOXIC SUBSTANCES DURING THE WORK PROCESS.



## DANGER - WARNING

- The saw has been designed and built for dry cutting only. **Do not use any kind of cutting fluid.**
- This machine is not suitable for use in potentially explosive atmospheres.



## GENERAL SAFETY REGULATIONS

### **DANGER – WARNING**

When using electrical tools, it is essential to observe basic safety precautions at all times to reduce risk of fire, electric shock, and injury.

#### Ambient Conditions:

- Avoid using the machine in locations which are very humid or in the presence of flammable liquids or gas.
- Always keep the work area tidy and clear of work scarp pieces; untidy work benches and work areas are a source of potential danger.

#### Clothing and personal protective equipment:

- Do not wear clothing with loose sleeves or any accessories such as scarves, necklaces, bracelets or any other object which may get caught up in the machine's moving parts.
- Always wear safety protection devices. regulation safety glasses/goggles, well-fitting gloves, ear protection.
- It is advisable to wear slip-resistant safety footwear.
- When necessary, suitably tie back long hair to prevent any risk of it becoming trapped or entangled in moving parts.
- Wear an approved dust mask.

#### Care and use of electrical components:

- Pay attention to the power supply cable: never use it to lift the machine. Do not pull on the cable to disconnect the plug from the power socket. Keep the cable away from sharp edges, oil and high temperatures.
- Should it be necessary to use an extension cord, make sure it is heavy enough and an approved type.
- Regularly check any extension cords being used and replace them if damaged.
- Whenever the machine is used outdoors, only use extension cords which have been approved for outdoor use and are marked accordingly.

#### General safety warnings:

- Keep unauthorized persons and children away from the machine: never allow them to come near or into contact with it.
- Always pay attention what you are doing.
- Always stay in a comfortable and well-balanced position.
- Never leave tools or measuring devices on the machine.
- Adopt safe working methods.
- Unplug the machine from the power supply when it is not in use, before performing any maintenance operations and before replacing accessories or blades.

#### Safety checks:

- Remove any tools before switching the saw on.
- Avoid inadvertent start-up: make sure that the switch is in the stop position before connecting the machine to the power supply.
- Check the various machine elements to make sure there are no signs of damage.
- Before proceeding to use the machine, check all the safety devices and any other item which may be damaged to ensure that the machine works properly and can perform the task it is designed to do.
- Check that mobile parts are well aligned, move smoothly and are intact.
- Check the mounting and any other condition which may influence operation. Any damaged part or guard must be repaired or replaced.
- It is essential to avoid using the machine if the switch malfunctions in any way.
- It is strictly forbidden to use the machine without the blade guards in place.
- Do not force the machine. The end results will be better and the machine safer to use if it is used at the speed and rhythm it was designed for.

#### Machine upkeep and maintenance:

- Always keep the handles and handgrips dry, clean and free from oil and grease.
- Always keep the tools in perfect condition. Keep blades sharp and clean to ensure maximum performance and safety.



#### **DANGER - WARNING**

- The use of any accessory or connection different to those indicated in this manual may lead to the risk of injury.
- Do not disassemble this machine.
- Repairs to the machine must be carried out by skilled personnel only. Failure to observe these warnings could create severe risks to users.

#### **RESIDUAL RISKS**

##### **Cutting and severing hazard:**

This risk is due to the presence of the rotating blade. It is indicated by the symbol:

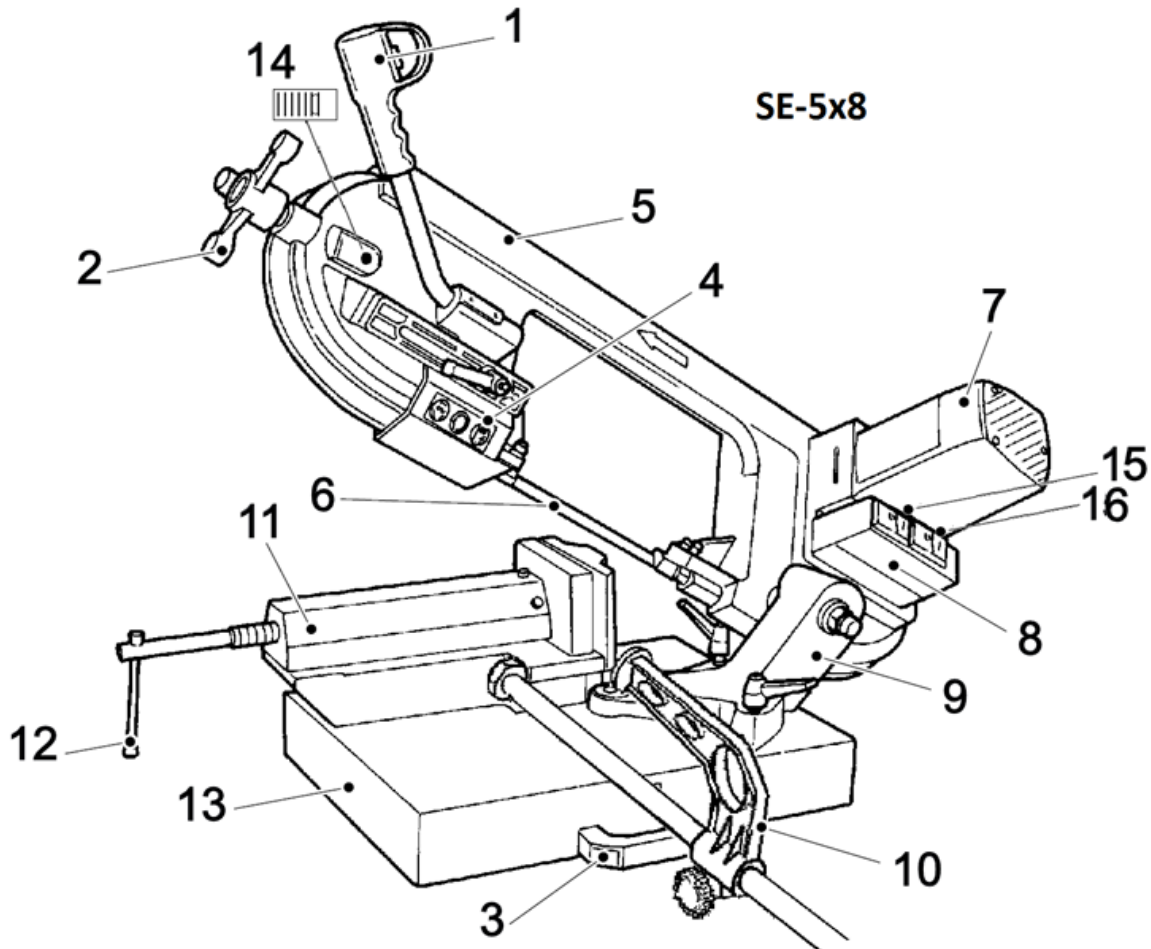
##### **Precautions to be taken**

- During the cutting phase, do not wear work gloves.
- Keep hands away from the work area.
- Never remove cuttings or fragments from the machine when the blade is rotating.

##### **Friction or abrasion hazard:**

This risk is due to the presence of the rotating blade.

## MAIN MACHINE COMPONENTS



1. Control handgrip	9. Swivel Support
2. Blade tension handwheel	10. Stock stop assembly
3. Transport handles	11. Vise
4. Moveable blade guides	12. Vise adjustment screw
5. Cutting bow casting	13. Base
6. Blade	14. Blade tension window
7. Motor	15. Speed selector switch
8. Control Box	16. Power switch

The bandsaw is made up of two main parts: the machine body (5) complete with motor and drive system (7) which is joined, by means of a swivel support (9), to the bottom section, made up of a base (13) and vise (11).

## INSTALLATION

### CONTENTS OF THE PACKAGING

- 1 bandsaw / handles and hardware
- 1 Stock stop assembly
- User Manual

### REMOVING THE PACKAGING

Remove the box used to protect the machine during transport.

It is advisable to keep the packaging for future use (for transporting or storing the machine).

### SAW HANDLING

- a) Install the handles (3).
- b) Lift the machine only with these handles.

### POSITIONING WORK STATION

Position the machine on a work bench or on a pedestal at a height of between 35" - 37" from the ground. The surface on which the machine is placed must be big enough to guarantee machine stability



### **DANGER-WARNING AUTONOMOUS CUTTING SAWS**

This model of machine (SE-5X8) must only be used in a dedicated work area to which unauthorized access is prohibited.

If no such work area is available, it is advisable to cordon off the machine's operating area (6' of clearance on all sides of the bandsaw)

Position the machine in a work area with adequate lighting.

It is advisable to secure the machine to the workbench with M6 screws using the holes provided on the base.

## ELECTRICAL CONNECTION

Safety Standards for electrical connections

Check that the electric supply system to which the machine is to be connected is grounded in accordance with the relative safety regulations in force.



### **DANGER - WARNING**

- Check that the power supply system is equipped with a circuit breaker to protect all conductors from short circuit overloads.
- Before connecting machine to the electrical system, check that the main voltage matches the voltage indicated on the machine itself.
- Once connected, to avoid any possible residual risks of tripping and falling, make sure that the power supply cable lies completely on the ground and is not at any point raised in the air.
- The saw's electrical system is fitted with a device which automatically opens the circuit if the voltage drops below the minimum set limit and inhibits automatic reset of operating conditions when the voltage returns to the set rated levels.
- Should the machine suddenly cut out there is no cause for alarm. Check that there has not been a voltage failure in the main supply.

## ADJUSTMENTS

Blade configurations, speeds and feeds and cutting pressure recommendations are printed on a label affixed to the motor housing.



### **DANGER – WARNING**

- Put the machine in safe conditions (see “GENERAL SAFETY REGULATIONS”).
- Wear protective gloves.
- At the end of every adjustment operation, check that all fasteners are securely tightened.
- At the end of every adjustment operation make sure no tools have been left on the machine.

## ADJUSTING BLADE TENSION

**Machine with tension indicator:** turn the handwheel (2) clockwise until the indicator (14) on body is aligned with the “MAX” position on the label.



### **DANGER - WARNING**

**IF THE BAND TENSION IS TOO HIGH IT MAY JUMP OUT OF THE GUIDES.**

## CUTTING ANGLE-HEAD ROTATION ADJUSTMENT

*The machine is supplied with basic positions calibrated at: 0° and 45°*

To adjust the cutting angle, proceed as follows:

1. Loosen the locking knobs,
2. Turn the swivel support using the handgrip,
3. Stop rotation when the pointer is aligned with the selected position on the graduated scale on the base,
4. Lock the swivel support by tightening knobs.

## ADJUSTING THE SLIDING BLADE GUIDE POSITION



**DANGER - CAUTION**

**PERFORM ADJUSTMENT OPERATIONS WHENEVER YOU PREPARE A WORK PROCESS**

1. Loosen knob that is locking blade guide.
2. Slide the blade guide until it is as close to the workpiece as possible;
3. Simulate the work process to be performed to make sure that there is no interference and/or contact between the blade guide, the workpiece and other parts of the machine.
4. Lock the blade guide in position by tightening the knob.

## BLADE SPEED ADJUSTMENT

*Adjust the cutting speed as indicated in this manual. The device for regulating blade speed is a rocker switch on top of the control box (8).*

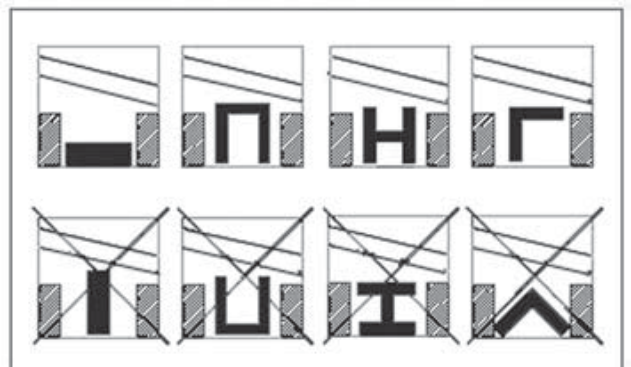
Select the speed (196 / 262 fpm) using the rocker switch (15).

## POSITIONING OF THE WORKPIECE IN THE VISE



**DANGER - WARNING**

**TO POSITION FLAT OR SPECIAL SHAPED PROFILES, PLEASE REFER TO THE EXAMPLES PROVIDED IN THE DRAWING.**



## INSTALLATION AND ADJUSTMENT OF BANDSAW STOCK STOP

1. Screw the guide rod (10) in the hole on the base.
2. Tighten the nut.
3. Loosen the handwheel and position the holder (10) at the required distance.
4. Tighten the handwheel.

## OPERATIONS



### **DANGER - WARNING**

**THE MACHINE IS EQUIPED WITH A MAIN POWER SWITCH (located on control box 8) TO BE ACTIVATED BEFORE THE WORK OPERATION. ONCE WORK HAS BEEN COMPLETED, TURN OFF THE MAIN POWER SWITCH.**

- Never wear gloves while operating saw.
- Before making a new cut, always remove the cut part left from the previous cut.
- Keep hands well away from the cutting area.

### **USE AS A MANUAL CUTTING SAW**

*The cutting head must be raised to the maximum up position then brought down to un-lock the head lock feature. Do not force the head down as this may damage the saw.*

1. Secure the workpiece to be cut in the vise using the vise adjusting screw (12).
2. Press button (located in the handle grip1) to start the blade.
3. Lower the cutting head slowly until it comes into contact with the workpiece



### **DANGER - CAUTION**

***To avoid breaking the blade, reduce pressure as soon as the blade comes into contact with the workpiece.***

4. Complete cutting until you break through the cut.
5. Release the button to stop work.
6. Lift the head as far as it will go.



### **DANGER - CAUTION**

- Never bring hands anywhere near the cutting area until the blade has stopped and head has been raised to its full height.
- Let the cut piece fall onto the base of the machine. Do not grab the cut part.
- In the event of excessive cutting pressures, the current limiter will trip, back off the cutting pressure to safeguard the machine and operator.

## MAINTENANCE - STORAGE - ASSISTANCE - DISPOSAL

*Routine maintenance operations which can be performed by the user are described below.*

*Have the machine repaired by qualified personnel only. This machine complies with all the relevant safety prescriptions. Repairs to the machine must be carried out by skilled personnel only using original spare parts. Failure to observe this recommendation could jeopardize user safety.*

### **DANGER - WARNING**

Before performing any maintenance work the machine must be disconnected from the power source and locked out.

### REPLACING SAW BLADE

#### **DANGER – WARNING: WEAR PROTECTIVE GLOVES.**

**Tools required:** Appropriate hex keys and/or screwdrivers are needed to replace the blade.

Check the rotation of the used blade. Notice arrow direction on the head frame.

***Use of used blades is not recommended.***

Check the compatibility of the NEW blade for the saw. Only use a blade with a thickness between .025" and .035".

1. Loosen the blade guide handle and slide the blade guides towards the center of the of the cutting head. Lightly tighten the handles (4).
2. Remove the rear blade cover by unscrewing the hex screws. Remove cover and put it safely out of your way.

#### **DANGER – WARNING WHEN THE BLADE COVER IS OPENED, THE BLADE MAY JUMP OUT.**

3. Turn the handwheel (2) counter clockwise to loosen and facilitate removal of the blade;
4. First remove the blade from the blade wheels and then from the blade guide bearings.
5. Remove and clean any chips or debris using a small brush.
6. Install the new blade.
7. Make sure, by means of a visual inspection, that the blade is installed with the teeth pointing in the direction indicted by the arrow on the machine; (Forward) Tighten the blade tensioning handle lightly.
8. Mount the blade cover by tightening the hex screws.
9. Turn the handwheel (2) clockwise to tighten blade until the indicator (14) on the body is aligned with the "MAX" position on the label.



 **DANGER - WARNING**

**TO GET OPTIMUM PERFORMANCE FROM YOUR BLADE, CARRY OUT THE BREAK-IN PROCEDURE. ALWAYS BREAK-IN THE BLADE USING THE BLADE MANUFACTURERS BREAK-IN RECOMMENDATIONS. IF UNAVAILABLE THESE STEPS WILL PROVIDE GENERIC BREAK-IN PROCEDURES.**

Start out making three cuts, putting only a light pressure on the workpiece.

*Light pressure: as an example, consider an operation to cut a solid steel bar (e.g. C40, D .2" dia). This should be cut in about 4 minutes. Once the blade has been broken-in the same workpiece can easily be cut in about 2 minutes.*

**LUBRICATION / COOLANT**


*The machine does not need lubricating / coolant.*

**CLEANING**

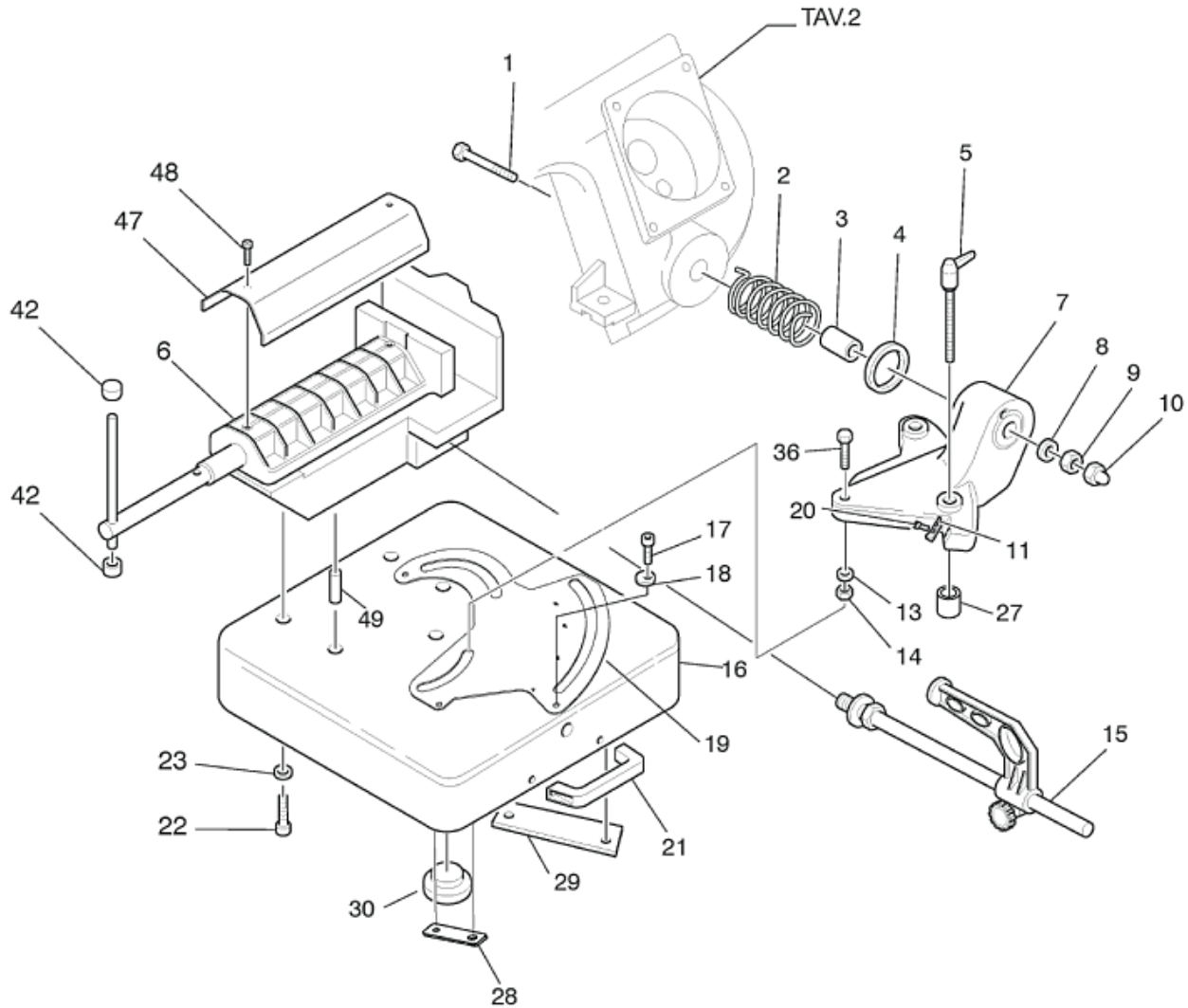
 **DANGER – WARNING**

- Wear suitable personal protective equipment (e.g. safety glasses, etc.).
- Avoid using compressed air.
- Keep saw and surrounding areas clean from debris.

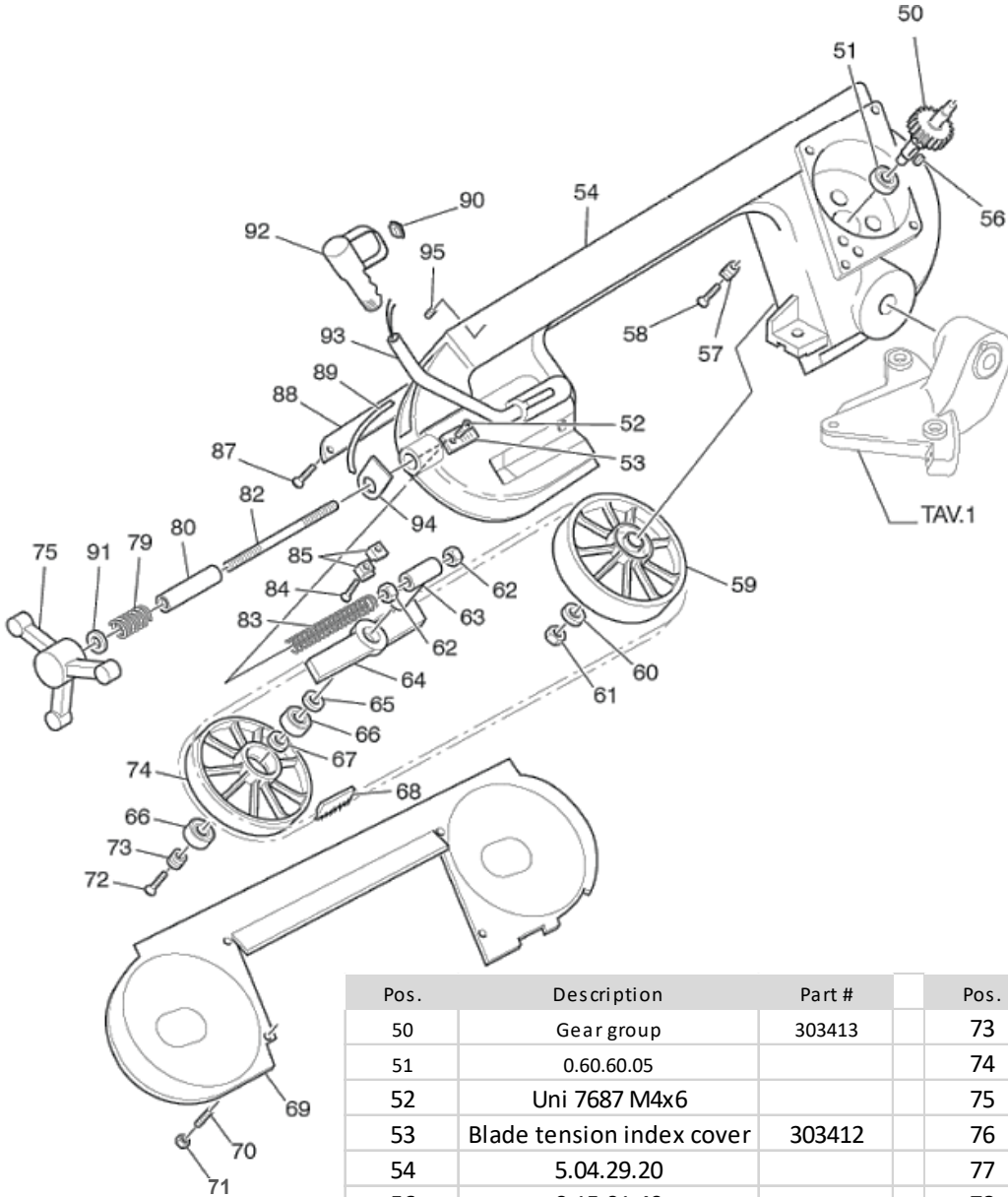
## TROUBLESHOOTING

PROBLEM	PROBABLE CAUSE	REMEDY
Motor is not working	<ol style="list-style-type: none"> <li>1. Faulty motor, power cable or plug.</li> <li>2. Blown fuse in electrical panel.</li> <li>3. No voltage at the power supply</li> <li>4. Motor's thermal circuit breaker has tripped</li> </ol>	<ol style="list-style-type: none"> <li>1. Get machine checked by a qualified electrician.</li> </ol> <p> <b>DANGER – WARNING</b> <b>NEVER ATTEMPT TO REPAIR THE MOTOR YOURSELF, IT COULD BE DANGEROUS.</b></p> <ol style="list-style-type: none"> <li>2. Check and replace fuses if necessary.</li> <li>3. Check power supply.</li> <li>4. Thermal overload tripped. Wait a few minutes for overload to re-set</li> </ol>
Tripping of the thermal circuit breaker	<ol style="list-style-type: none"> <li>1. Motor has overheated.</li> <li>2. Motor overload caused by excessive cutting pressure.</li> <li>3. Motor faulty</li> </ol>	<ol style="list-style-type: none"> <li>1. Check that the motors cooling vents are not obstructed.</li> <li>2. Reduce the cutting pressure.</li> <li>3. Get motor check by a qualified personal.</li> </ol>
Cuts are not square	<ol style="list-style-type: none"> <li>1. Excessive cutting pressure or distortion of the part in the vise.</li> <li>2. Incorrect or worn blade.</li> <li>3. Cutting speed incorrect.</li> <li>4. Misalignment of guides.</li> <li>5. Incorrect clamping.</li> <li>6. Incorrect blade tensioning.</li> </ol>	<ol style="list-style-type: none"> <li>1. Reduce cutting pressure, adjust clamping vise.</li> <li>2. Check cutting chart on motor for proper blade parameters.</li> <li>3. Adjust cutting speed.</li> <li>4. Check guide alignment.</li> <li>5. Check clamping positioning.</li> <li>6. Check blade tension.</li> </ol>
The cut finish is rough or irregular	<ol style="list-style-type: none"> <li>1. Worn out blade or teeth missing.</li> <li>2. Wrong blade for the job.</li> <li>3. Excessive cutting pressure.</li> </ol>	<ol style="list-style-type: none"> <li>1. Replace blade with new.</li> <li>2. Check cutting parameters compare to the blade tooth and cutting speeds listed on the motor chart.</li> <li>3. Reduce cutting pressure.</li> </ol>
Blade jumps out of the guides.	<ol style="list-style-type: none"> <li>1. Excessive wear of rubber coating on the band wheels.</li> <li>2. Slipping blade on band wheels.</li> <li>3. Seized guide bearing</li> </ol>	<ol style="list-style-type: none"> <li>1. Clean any sprays or lubricant from the band wheels or replace if needed.</li> <li>2. Loose blade tension. Check and adjust tension.</li> <li>3. Replace worn bearings.</li> </ol>

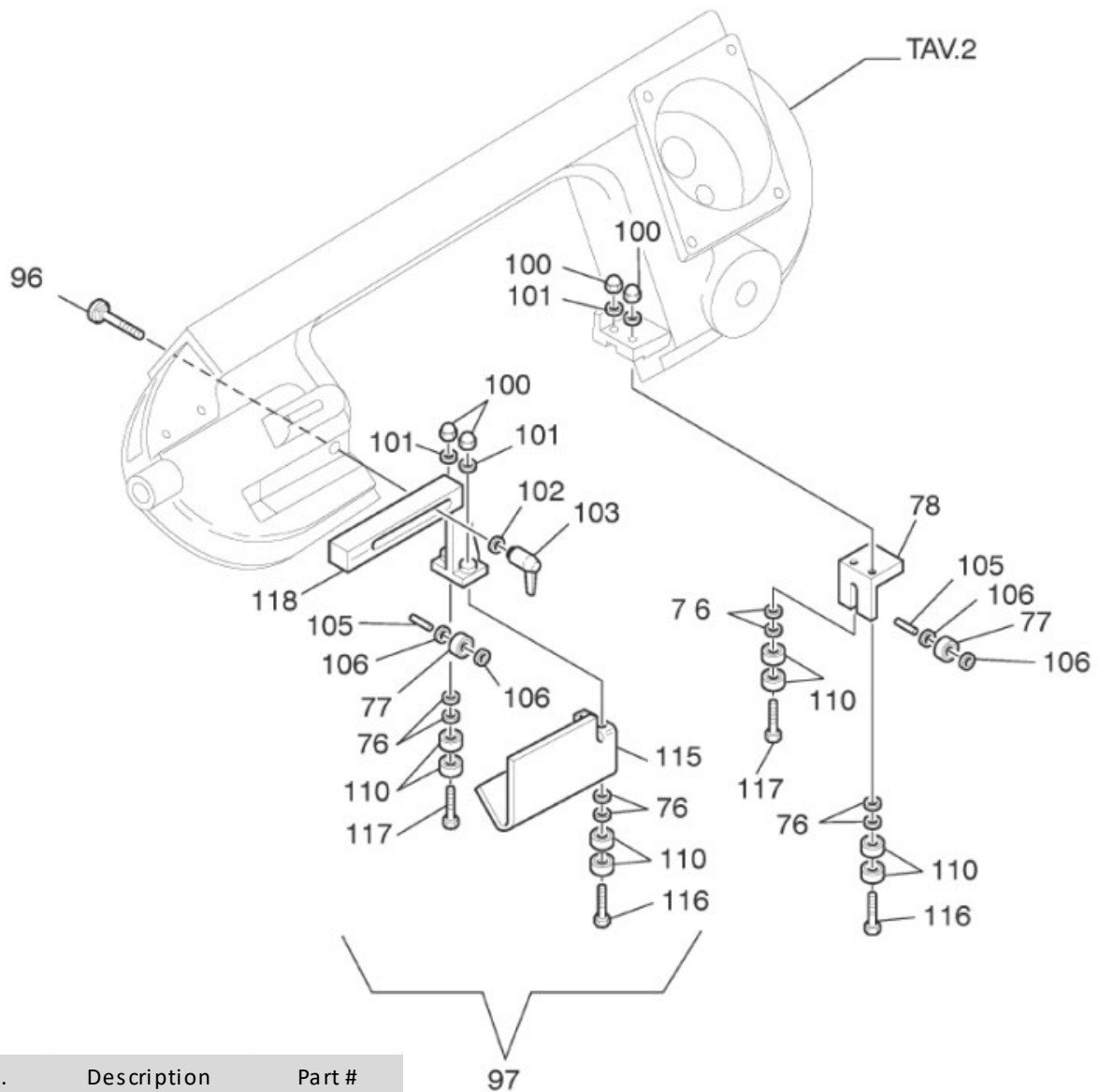
## EXPLODED VIEWS & PART LIST



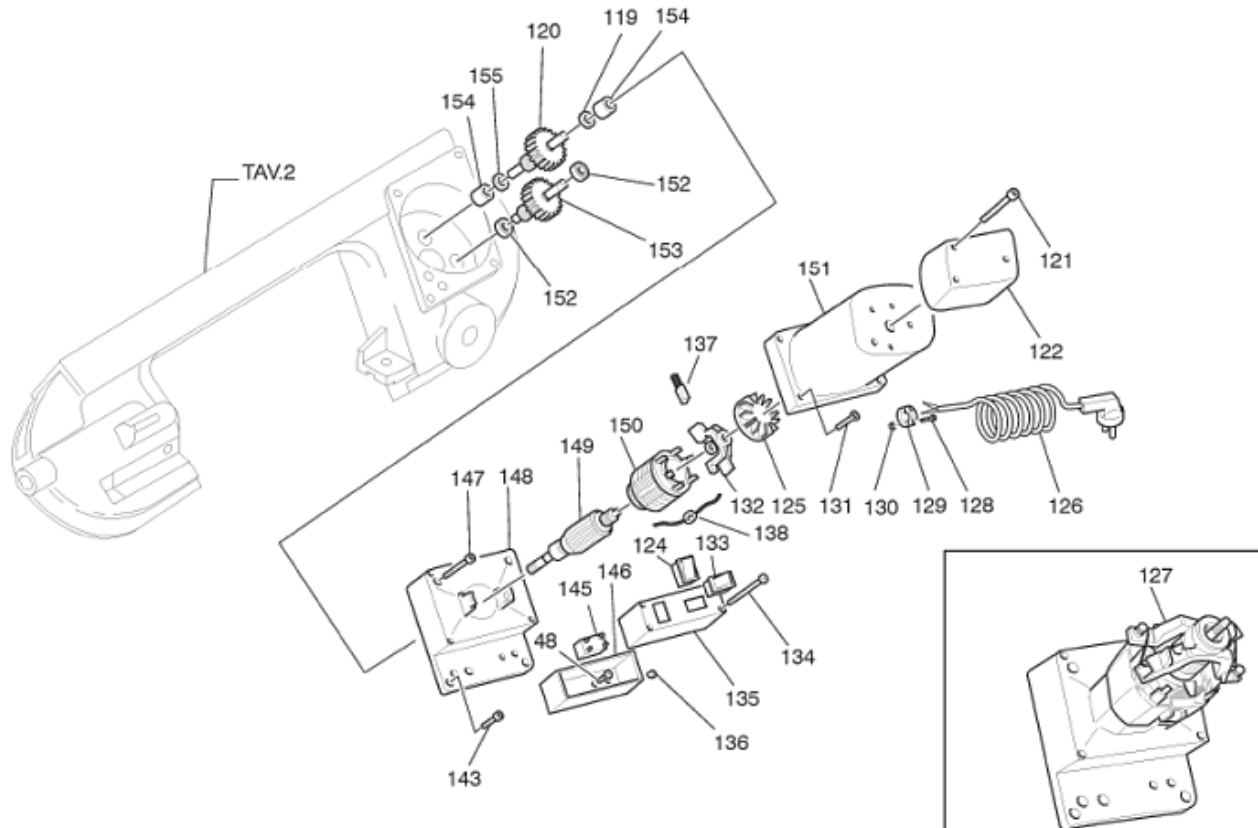
Pos.	Description	Part #	Pos.	Description	Part #
1	Uni 5737 M14x100		17	Uni 5931 M6x16	
2	5.08.01.32		18	5.12.40.29	
3	0.06.30.40		19	5.13.80.42	
4	5.12.40.50		20	0.40.29.05	
5	0.14.70.03		21	0.14.40.03	
6	Complete Vise	303417	22	Uni 5931 M8x25	
7	Swivel Support	303416	23	Uni 6592 Ø8	
8	Uni 6592 Ø14		27	5.06.30.67	
9	Uni 5587 M14		28	5.14.21.05	
10	Uni 5721 M14		29	5.13.77.78	
11	5.15.95.03		30	Rest Foot	303414
13	0.12.07.18		36	5.17.10.87	
14	Uni 7473 M8		42	Vise Handle	303415
15	7.13.05.52		47	5.18.28.28	
16	5.13.38.25		48	0.40.06.05	
			49	0.15.07.01	



Pos.	Description	Part #	Pos.	Description	Part #
50	Gear group	303413	73	5.12.40.47	
51	0.60.60.05		74	5.21.42.22	
52	Uni 7687 M4x6		75	Handwheel	303410
53	Blade tension index cover	303412	76	5.12.06.38	
54	5.04.29.20		77	0.59.06.24	
56	0.15.01.49		78	5.18.17.39	
57	5.15.41.03		79	0.08.02.59	
58	0.40.05.11		80	5.12.20.24	
59	Drive wheel	303411	82	5.10.05.04	
60	Uni 6592 Ø12		83	5.08.10.05	
61	Uni 7474 M12		84	Uni 5933 M5x25	
62	Uni 5588 M10		85	5.13.07.34	
63	5.00.15.58		87	0.40.05.13	
64	5.13.78.08		88	5.18.17.37	
65	0.15.51.49		89	5.87.10.48	
66	0.60.62.04		90	Trigger switch	303409
67	0.15.51.16		91	Uni 6592 Ø10"	
68	3.27.74.02		92	Pull handle	303408
69	5.18.17.36		93	5.14.20.79	
70	Uni 5923 M5x16		94	5.15.95.04	
71	0.10.20.05		95	0.17.99.01	
72	Uni 5933 M8x20				



Pos.	Description	Part #
96	Uni 5731 M8x35	
97	7.13.07.43	
100	Uni 5721 M6	
101	Uni 1751 Ø6	
102	0.12.07.18	
103	Hand lever	303418
105	0.17.40.16	
106	0.12.90.04	
110	Ball bearing	7x19x 6 2RS
115	5.18.16.74	
116	5.10.00.64	
117	5.10.00.65	
118	5.13.07.71	



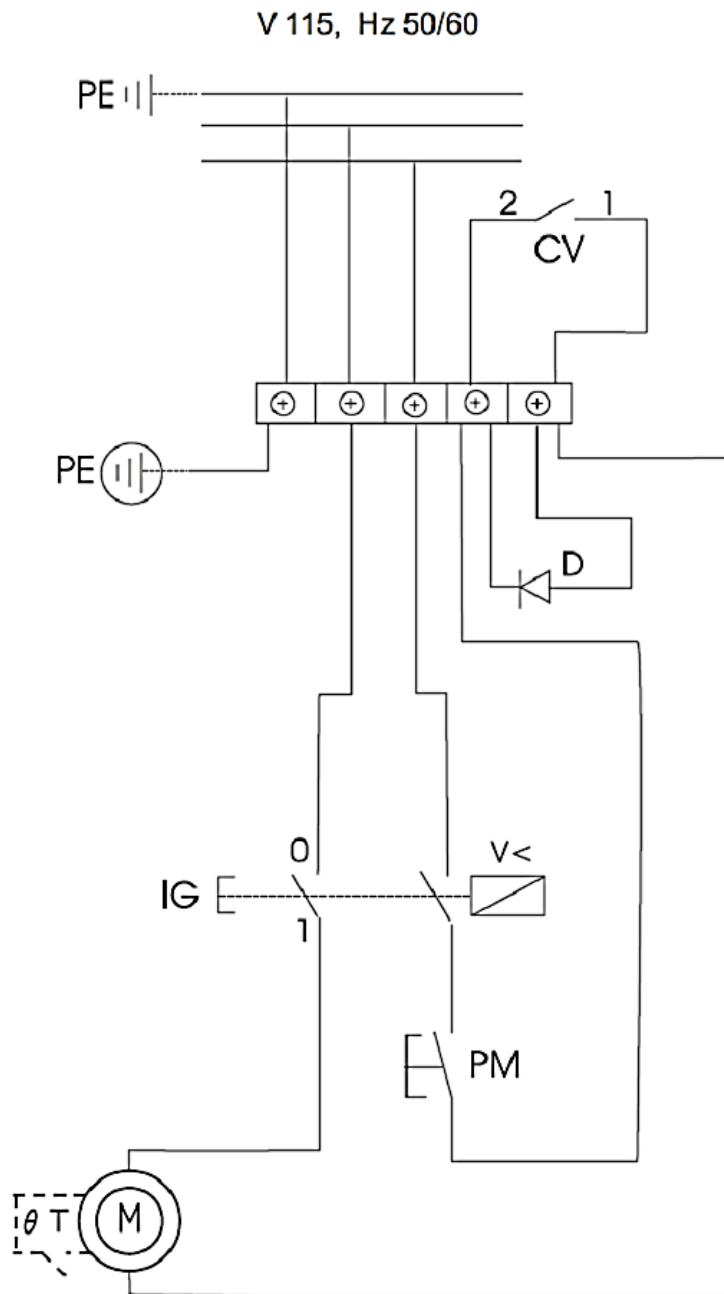
Pos.	Description	Part #	Pos.	Description	Part #
119	5.13.07.71		139		
120	Gear Group	303438	140		
121	0,42,40,60		141		
122	Motor cover	303406	142		
123			143	Uni 5931 M6x16	
124	Speed selector switch	303407	144		
125	Motor fan	303405	145	Diode	303441
126	5.87.10.81		146	5.18.28.23	
127	Complete motor	303442	147	Uni 5931 M6x30	
128			148	5.18.25.09	
129	5.15.45.01		149	7.01.31.49	
130			150		
131	Uni 5931 M5x40		151	5.18.28.39	
132	5.85.00.05		152	Cage bearing	10X14X12
133	Power switch	303404	153	Gear group	303439
134	Uni 6954 P8x45		154	Cage bearing	HK0609B (6X10X9)
135	5.18.25.17		155	5.18.19.34	
136	0.16.85.07		156	5.18.19.35	
137	Motor brushes	303394	157	5.18.10.04	
138	Thermostat	303440	N/A	Free wheel group	303426

**Please contact factory for current prices.**

## ORDERING INFORMATION

Parts are available for direct purchase from Dake or through a distributor. When placing a parts order, you will need to provide the part number, name of part, and model number. All parts shipped F.O.B. Factory in Grand Haven, MI.

## ELECTRICAL COMPONENTS



PE	Protection circuit
PM	Run button
Vv	Cutting speed adjustment
FCC	End of cut micro-switch
IG	Magnetic main switch
T	Thermal circuit breaker
M	Motor
D	Electric Diode