



a JSJ business

DAKE COMPOUND LEVERAGE ARBOR PRESS

Model 5

INSTRUCTIONAL MANUAL



WARNING!

Read and understand all instructions and responsibilities before operating. Failure to follow safety instructions and labels could result in serious injury.

Dake Corporation
724 Robbins Road
Grand Haven, MI 49417

Phone: 800.937.3253
Fax: 800.846.3253

www.dakecorp.com
customerservice@dakecorp.com



TABLE OF CONTENTS

DAKE STANDARD LIMITED WARRANTY.....	2
RETURN & REFUND POLICY	3
SPECIFICATIONS	4
SAFETY	4
HANDLE POSITION	5
OPERATION	5
MAINTENANCE	5
LUBRICATION	5
EXPLODED VIEW & PARTS LIST	6
EXPLODED PARTS VIEW.....	6
PARTS LIST	7
ORDERING INFORMATION	7



DAKE STANDARD LIMITED WARRANTY

Finished Machines

Dake warrants to the original purchaser the finished machine manufactured or distributed by it to be free from defects in material and workmanship under normal use and service within 1 year (12 months) from the delivery date to the end user.

Parts & Couplings

Dake warrants to the original purchaser the component part or coupling manufactured or distributed by it to be free from defects in material and workmanship under normal use and service within 30 days from the delivery date to the end user.

The standard limited warranty includes the replacement of the defective component part or coupling, at no cost to the end user.

Warranty Process

Subject to the conditions hereinafter set forth, the manufacturer will repair or replace any portion of the product that proves defective in materials or workmanship. The manufacturer retains the sole right and option, after inspection, to determine whether to repair or replace defective equipment, parts or components. The manufacturer will assume ownership of any defective parts replaced under this warranty.

All requested warranty claims must be communicated to the distributor or representative responsible for the sale. Once communication has been initiated, Dake Customer Service must be contacted for approval:

Phone: (800) 937-3253

Email: customerservice@dakecorp.com

When contacting Dake, please have the following information readily available:

- Model #
- Serial #
- Sales Order #

Purchasers who notify Dake within the warranty period will be issued a Case number and/or a Return Material Authorization (RMA) number. If the item is to be returned per Dake's request, the RMA number must be clearly written on the exterior packaging. Any item shipped to Dake without an RMA will not be processed.

Warranty Exceptions:

The following conditions are not applicable to the standard limited warranty:

- (a) Part installation or machine service was not completed by a certified professional, and is not in accordance with applicable local codes, ordinances and good trade practices.
- (b) Defects or malfunctions resulting from improper installation or failure to operate or maintain the unit in accordance with the printed instructions provided.
- (c) Defects or malfunctions resulting from abuse, accident, neglect or damage outside of prepaid freight terms.
- (d) Normal maintenance service or preventative maintenance, and the parts used in connection with such service.
- (e) Units and parts which have been altered or repaired, other than by the manufacturer or as specifically authorized by the manufacturer.
- (f) Alterations made to the machine that were not previously approved by the manufacturer, or that are used for purposes other than the original design of the machine.



RETURN & REFUND POLICY

Thank you for purchasing from Dake! If you are not entirely satisfied with your purchase, we are here to help.

Returns

All Dake manufactured / distributed machines, parts and couplings include a 30-day return option. These policies are valid from the date of final shipment to the end user.

To be eligible for a return, the item must be unused and in the same condition as received.

All requested warranty claims must be communicated to the distributor or representative responsible for the sale. Once communication has been initiated, Dake Customer Service must be contacted for approval:

Phone: (800) 937-3253

Email: customerservice@dakecorp.com

Once the return request has been approved by Customer Service, a representative will supply a Return Material Authorization (RMA) number. The returned item must have the provided RMA number clearly marked on the outside packaging. Any item received without an RMA number clearly visible on the packaging will not be processed.

An RMA number can only be provided by the Dake Customer Service team and must be obtained prior to the return shipment.

Refunds

Once the item has been received and inspected for damages, a representative will notify the requestor referencing the provided RMA number.

If the return is approved, a refund will be issued to the original method of payment, less a 20% restocking fee. The restocking fee may be waived if an order is placed at the time of return with like-value merchandise.

Transportation costs are the responsibility of the end user and will not be credited upon return approval.

Any item that is returned after the initial 30 days or has excessive/obvious use will not be considered for a full refund.

SPECIFICATIONS

Model	5
Number	903008
Capacity	15 tons
Leverage ration	150:1
Ram size	2" x 2" x 24"
Max diameter work	24-1/2"
Throat	12-1/2"

Largest arbor	5-1/2"
Max ram to table	46"
Min ram to table	16"
Base length	32-1/2"
Base width	27"
Height	64-1/2"
Weight	1,800 lbs

SAFETY



WARNING: This product contains Nickel, a chemical known to the State of California to cause cancer. For more information go to www.P65Warnings.ca.gov



This is the safety alert symbol. When you see this symbol on your press be alert to the potential for personal injury.

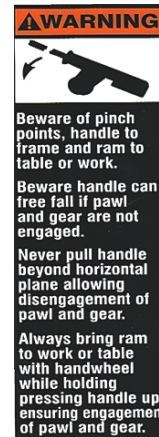
Employer is responsible to perform a hazard/PPE assessment before work activity.



Label Part No. 300168



Label Part No.
79979



Label Part No.
87130



Label Part No.
302416

Follow recommended precautions and safe operating practices.

<p>Carefully read all safety messages in these instructions and on your press safety signs. Keep safety labels in good condition. Replace missing or damaged safety labels.</p>	<p>This machine is intended to be operated by one person. This person should be conscious of the press ram movement not only for themselves but also for persons in the immediate area of the machine.</p>	<p>Under no circumstances increase the leverage ratio of the press by using a longer handle or by placing a pipe over the handle. Never hammer on top of the ram.</p>
--	---	--

HANDLE POSITION



! CAUTION: NEVER PULL THE PRESS HANDLE PAST THE HORIZONTAL POSITION! To avoid personal injury and damaging the press only pull until the handle is horizontal, then return the handle back up as far as it allows before bringing the handle back down. This ensures that the pawl fully engages with the gear teeth to prevent tooth damage and gear slippage that can cause harm to the machine and worker. Examples above show the ideal minimum and maximum handle positions.

OPERATION

This press can be operated with simple or compound leverage. Simple leverage is used to exert lighter pressures and compound leverage is used to exert heavier pressures.

For simple leverage: slide the short sliding pin (item 33) left to the furthest position, disengaging the compound leverage pin.

For compound leverage: slide the long sliding pin (item 18) right to the furthest position, disengaging the simple leverage pin.

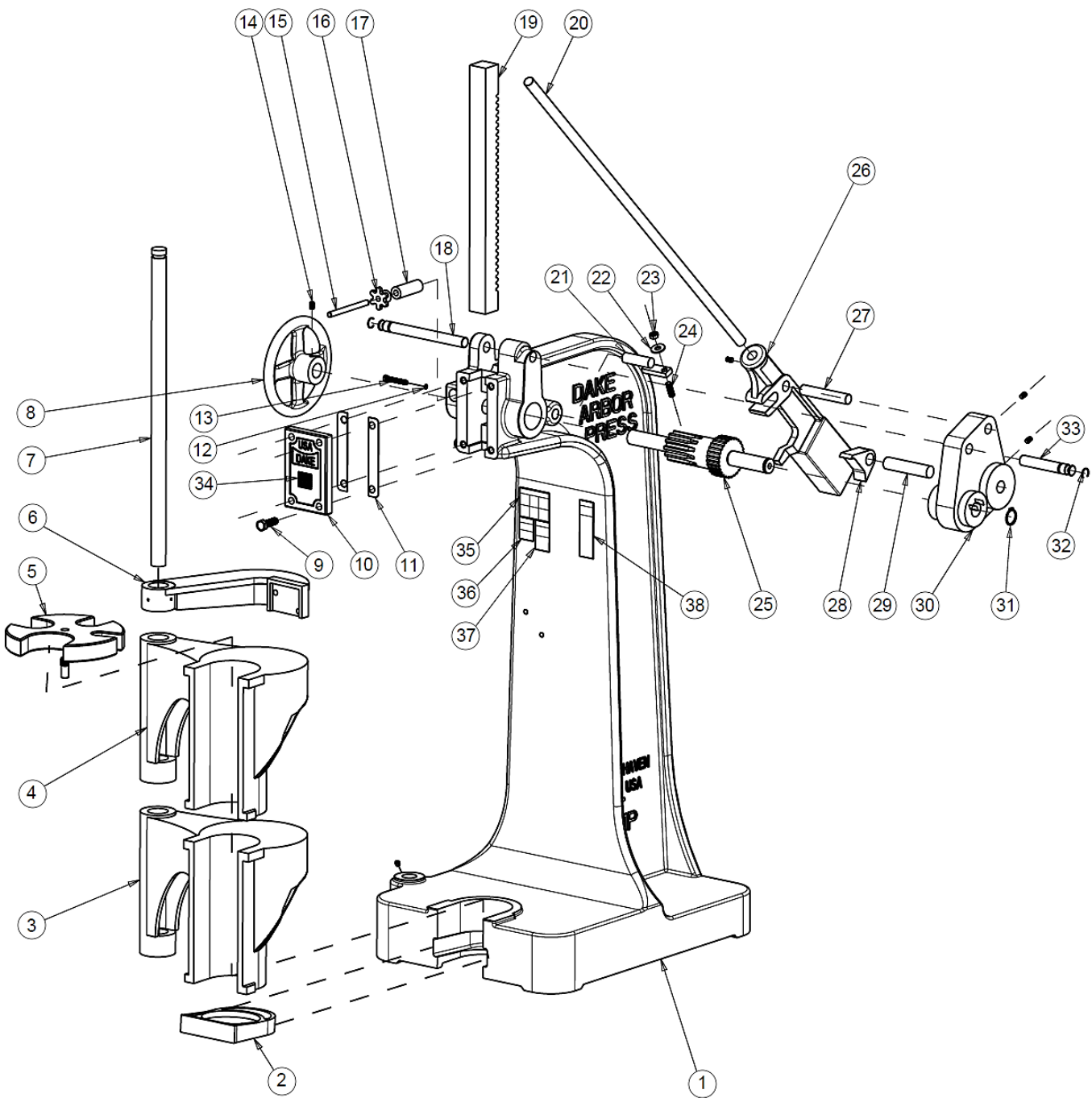
MAINTENANCE

LUBRICATION

- Keep all working parts of the press well-oiled for easier operation.
- Keep a light film of oil over the entire surface of the ram to prevent rust.

EXPLODED VIEW & PARTS LIST

EXPLODED PARTS VIEW





PARTS LIST

<u>Item</u>	<u>Part Name</u>	<u>Part Number</u>	<u>Qty</u>
1	Frame	301	1
2	Mandrel Catcher	306	1
3	Bottom Table	303	1
4	Top Table	302	1
5	Table Plate Assembly	701227	1
6	Table Bracket	307	1
7	Table Shaft	309	1
8	Handwheel	294	1
9	Hex Cap Screw (5/8-11" x 2")	43366	4
10	Ram Cap	261	1
11	Ram Cap Shim	242	6
12	Lock Washer (3/8")	43645	1
13	Hex Cap Screw (2-3/4" x 3/8-16")	43335	1
14	Socket Set Screw (3/8-16" x 5/8")	43589	6
15	Hand Brake Stud	289	1
16	Hand Brake Clamp	278	1
17	Hand Brake	277	1
18	Long Sliding Pin (1" x 10-1/2")	286	1
19	Ram	275	1
20	Handle	283	1

<u>Item</u>	<u>Part Name</u>	<u>Part Number</u>	<u>Qty</u>
21	Compound Rest Pin	280	1
22	Flat Washer (1/2")	43634	1
23	Hex Jam Nut (1/2"-13)	43940	1
24	Socket Set Screw (1/2"-13 x 1-1/2")	43608	1
25	Pinion Shaft (Spindle)	290	1
26	Lever Weight	305	1
27	Lever Weight Pin	308	1
28	Pawl	274	1
29	Pawl Pin	284	1
30	Compound	304	1
31	Retaining Ring	68962	1
32	Retaining Ring	43982	2
33	Short Sliding Pin (1" x 6-1/4")	288	1
34	Label – Made in U.S.A.	76936	1
35	Warning Label – Ganged	300168	1
36	Warning Label – Free Fall	302414	1
37	Warning Label – Tipping	79979	1
38	Warning Label – Pinch Point	87130	1
Not Shown	Set Screw (5/8"-11 x 2-1/4") Located on back of items 3 & 4	44332	2
Not Shown	Hex Nut (5/8"-11) Located on back of items 3 & 4	43917	2

Please contact factory for current prices.

ORDERING INFORMATION

Parts are available for direct purchase from Dake or through a distributor. When placing a parts order, you will need to provide the part number, name of part, and model number. All parts shipped F.O.B. Factory in Grand Haven, MI.